



2200Kv Brushless Motor Rebuild Instructions

Covers Parts #3482

Tools needed:

- 1.5mm hex wrench
- 2.0mm hex wrench
- Traxxas 4-way wrench
- Phillips screwdriver
- Plastic mallet
- Adjustable wrench
- Wood blocks

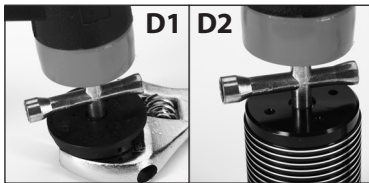
Disassembling the motor

1. Remove the three 3x4mm button-head cap screws from the wire side (rear) end bell (A).
2. Pull the end bell out of the motor can (B).
3. Remove the rotor from the motor can. Remove the metal spacer and flat washers (3) from the rotor (C).
Note: The rotor contains a very powerful Neodymium magnet and should be kept away from any magnetic-based storage devices, credit cards, monitors, etc.



Removing and installing the end bell bearings

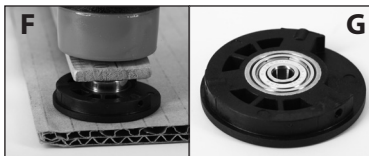
1. Open an adjustable wrench to approximately $\frac{3}{4}$ " and lay it down on your work surface. Place the rear end bell (inside down) on top of the wrench with the bearing centered over the opening (D1). Tap the bearing out using the 4-way wrench and a plastic mallet. Repeat the process for the output shaft side of the motor can (D2). Discard the old bearings.



2. Drop one of the included bearings down into the motor can. Position it over the recessed bearing boss inside the can. Position an over-sized Phillips screwdriver tip into the center of the bearing and work it around until the bearing is settled evenly into the motor can (E). Use a mallet to tap the bearing the rest of the way into the can.



3. Place the end bell (outside down) on a wood block. Place the new 5x16x5mm bearing in the end bell housing. Place another wood block on top of the bearing and tap the bearing into the end bell with a plastic mallet (F). Make sure the bearing is fully seated (G).

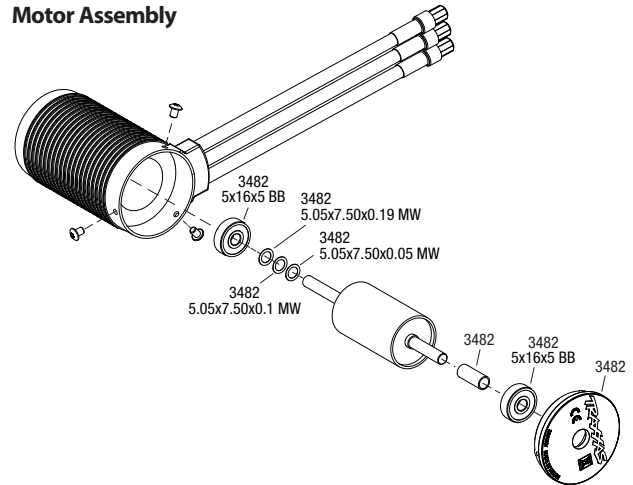


Rotor Replacement

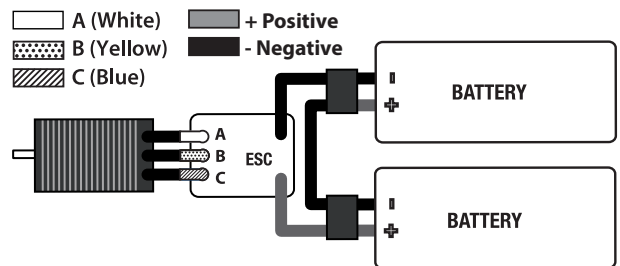
1. Install the included spacer and flat washers (3) onto the rotor, and then insert the rotor into the motor can as shown.
2. Install the rear end bell onto the motor can and secure it with the same three 3x4mm button-head cap screws. The motor is ready for installation.
3. Reinstall the motor in your vehicle. *Refer to your Owner's Manual for instructions on adjusting the gear mesh.*
4. Reinstall the gear cover.
5. Insert the bullet connectors into the electronic speed control. Note the motor phase alignment.



Motor Assembly



Wiring Diagram



Important Note: The ball bearings included with this kit are special high-speed bearings designed for use with the high-performance Velineon motor. **Do not use standard bearings for this application.**