



Visite la página TRAXXAS.com/manuals para descargar el instrucciones en su idioma.

Auf TRAXXAS.com/manuals können Sie anleitung in Ihrer Sprache downloaden.

## Telemetry Expander 2.0 Installation Instructions

Covers Parts #6550X, 6553X

**Note:** Expander mounts are available for most vehicles to make installation of the Telemetry Expander 2.0 easier and more secure. Visit [Traxxas.com](http://Traxxas.com) or contact your local hobby dealer to obtain the correct expander mount for your particular vehicle.

### Kit contents:

- Telemetry Expander 2.0 (1)
- Communication cable (425mm) (1)
- 3x10mm cap screws (2)
- Silicone grease (Traxxas part #1647) (1)
- Zip tie (1)

### Installation:

**Note: Unplug the battery from the electronic speed control (ESC) before beginning installation. Remove the wire clamp and the receiver cover to gain access to the receiver.**

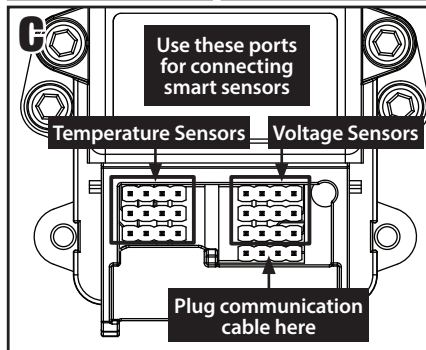
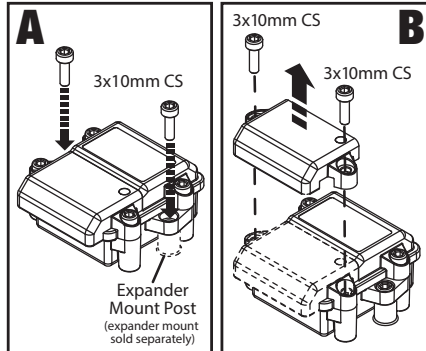
- Install the expander on a previously installed expander mount (not included) with the supplied 3x10mm cap screws (2).
- Remove the front cover from the expander.
- Plug the communication cable and desired sensors into the expander.

**Note:** Before sealing the covers on the expander and receiver box, make sure all smart sensors for telemetry expansion have been installed and are operating properly. Ensure that the blue o-ring is properly seated in the groove around the receiver box. Refer to the vehicle Owner's Manual for detailed instructions on maintaining a watertight seal.

- Apply a small bead of silicone grease to the foam on the expander and the top of the foam insert.
- Route the communication cable and the smart sensor cable(s) over and/or between the foam inserts on the expander.
- Replace the expander cover and reinstall the 3x10mm cap screws (2).
- Connect the communication cable to the expansion port on the receiver\* (see *Wiring Diagram*).
- Power up the system and verify that all sensors have linked, indicated by a solid or blinking green LED on the expander. **If the LED is blinking red, there is an error in the system.**
  - **Solid green LED** = the GPS location is set (or the GPS module 2.0 is not installed) and the expander is ready
  - **Blinking green LED** = the GPS Module 2.0 is installed and the expander is searching for a GPS signal

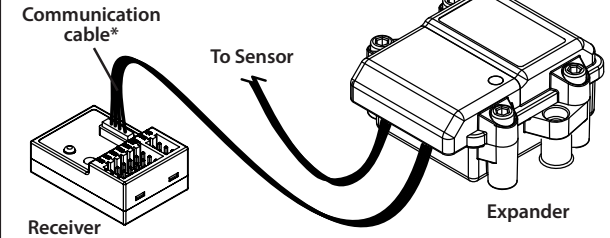
\*Firmware update via Traxxas Link™ is required to use the Telemetry Expander 2.0 with the receiver. Visit [Traxxas.com/telemetry](http://Traxxas.com/telemetry) for complete information and instructions on compatible devices and using the Traxxas Link™ App and the Telemetry Expander to capture and display real-time telemetry, such as voltage and temperature.

**FC CE** This device complies with FCC Part 15 & IC RSS-210 rules subject to the following conditions: 1) This device may not cause harmful interference, and 2) This device must accept all interference received, including interference that may cause undesired operation.



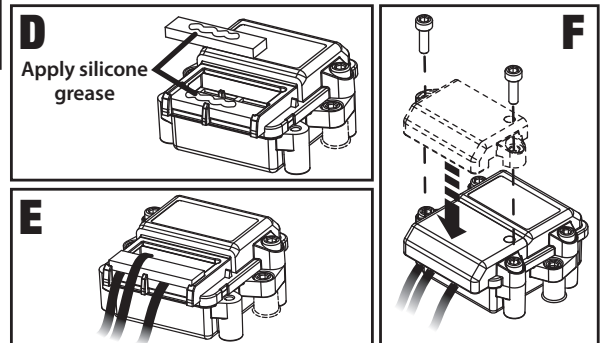
### Wiring Diagrams

\*Use the included zip tie to coil and secure any excess length of the communication cable. Ensure the cable is kept away from any moving parts and heated surfaces.



For ease of installation, the Telemetry Expander 2.0 can also be connected to either of these two additional power sources:

- If your vehicle is already equipped with the High-Voltage Power Amplifier (part #6590), connect the expander directly to the accessory port on the amplifier using the Data Link Cable (part #6565, sold separately).
- If your vehicle is already equipped with the Velineon VXL-6s electronic speed control (part #3485) or the VXL-8s electronic speed control (part #3496), connect the expander directly to the accessory port on the speed control using the Data Link Cable (part #6566, sold separately).



**Note:** Traxxas models may have some telemetry-ready parts installed from the factory. Please inspect the model before installation.

### Required for Telemetry GPS operation:

- TQi radio system with Traxxas Link™ Wireless Module (part #6511)
- Traxxas Link receiver (part #6533)
- Telemetry GPS Module 2.0 (part #6551X)
- Apple® iOS or Android™ mobile device (visit [Traxxas.com](http://Traxxas.com) for a list of current compatible devices)
- Traxxas Link App (latest version available free from the Apple® App Store™ or on Google Play™)

Apple, the Apple logo, iPhone, iPad, iPod touch, and iTunes are trademarks of Apple Inc., registered in the U.S. and other countries. App Store is a service mark of Apple Inc.

Android and Google Play are trademarks of Google Inc.

TRAXXAS.COM

Traxxas, 6250 Traxxas Way, McKinney, TX 75070, Phone: 972-549-3000, Fax: 972-549-3011, e-mail: support@Traxxas.com

KC2659-R01 190114