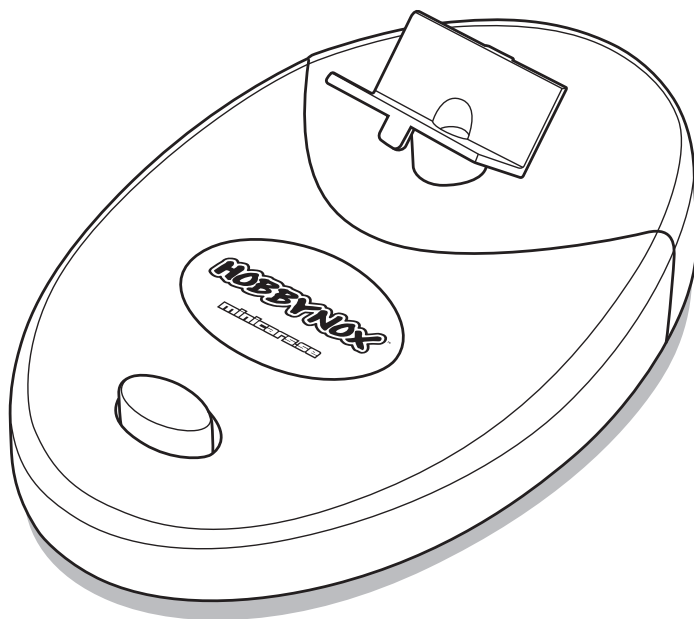


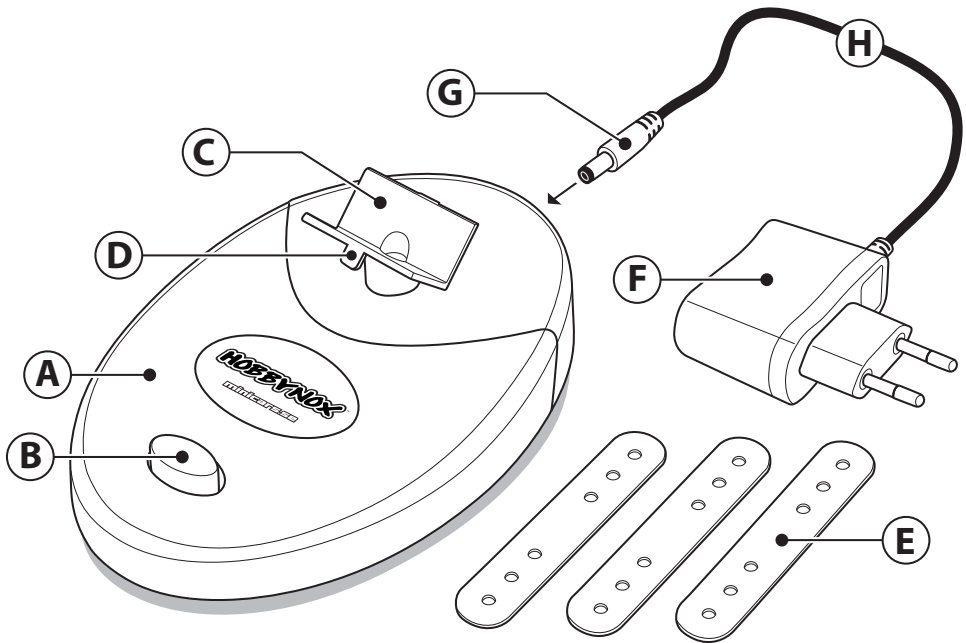
# HOBBYNOX™

## PAINT SHAKER

240V Hobby Paint Shaker for Bottles Up to 60ml

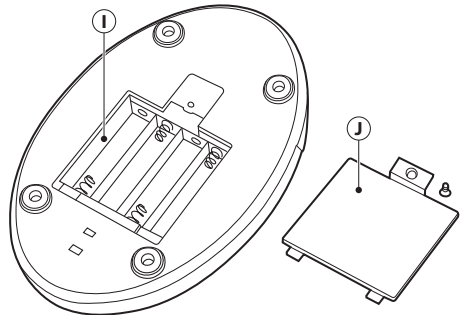


## Manual



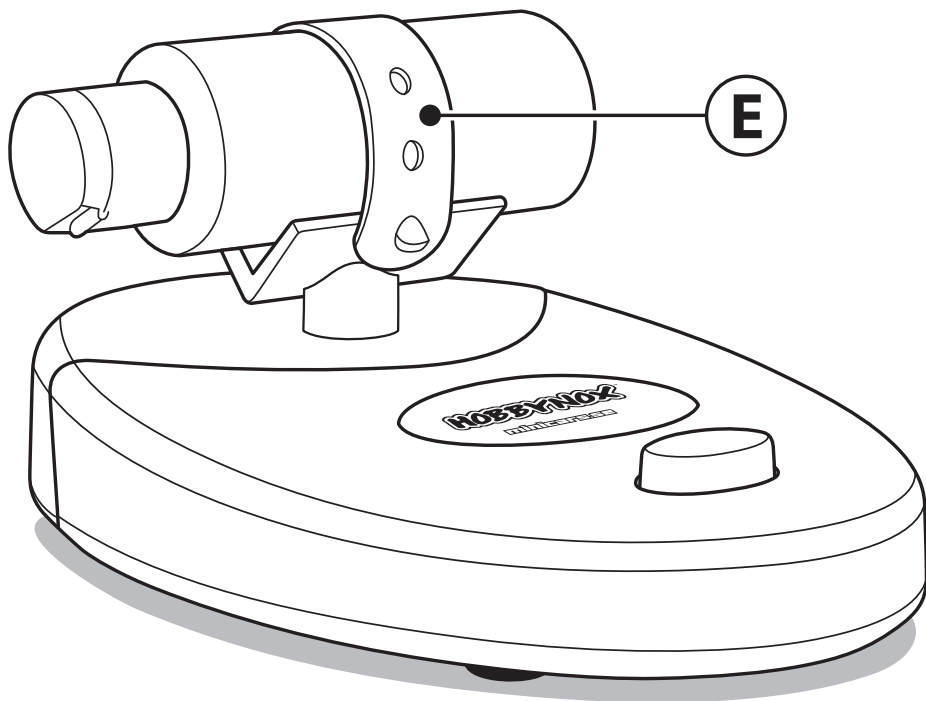
## Hobbynox Paint Shaker:

- Part nr: #HN20005
- EAN-13: 7340056106206
- A: Paint Shaker Unit (input 5V DC)
- B: On/Off Switch
- C: Paint Bottle Holder (up to 60ml)
- D: Bottle Holder Rubber Tab
- E: Rubber Bottle Straps (3)
- F: 240VAC/5VDC/1A Power Adapter (CE)
- G: 3.5mm Adapter
- H: 1m long power wire
- I: Optional Battery Compartment (4x AA - Not included)
- J: Battery Lid & Screw



## Spares:

- #HN20006: Rubber Bottle Straps 3pcs (E)



## Instructions:

- Unpack the paint shaker and check that everything is included. If not, report it to the dealer that you have bought it from.
- Make sure that the paint bottle cap is securely in place.
- Attach the bottle to be shaken to the holder (C).
- Make sure the bottle is centered on the bracket.
- Use a rubber strap (E) to fasten the paint bottle to the bracket (C & D).
- Plug-in the power adapter (F) to the wall socket and the 3.5mm connector (G) to the paint shaker (A).
- Press down the on/off power button (B).
- Let the paint bottle shake for a couple of minutes.

## Precautions

- The Hobbynox paint shaker is developed for hobby use.
- Don't use it non-stop for more than a few minutes at a time, let the dc motor inside to cool off.
- Use it for paint bottles up to 35mm in diameter.
- Use it for paint bottles up to 60ml in volume.
- Using larger/heavier paint bottles than the specified maximum size can make the dc motor to overload and get too hot.
- When not in use, unplug the power adapter from the AC wall socket.
- When not in use, remove any AA batteries from the battery department.
- The rubber bottle straps will over time get dry and break. New ones are available as spare part (3pcs #HN20006).



# Verification of Conformity

Certificate No.: 19ZCTE1120005EC

**Applicant** :  
**Address** :  
**Manufacturer** :  
**Address** :  
**Product** : **Nail Polish Shaker**  
**Brand Name** : **N/A**  
**Model No.** : **HNPS1**

Requirement	Applied Standards	Document Evidence	Result
EMC Directive	2014/30/EU	Test Report: 19ZCTE1120005ER	Conform
EMC Standards	EN 55014-1:2017 EN 55014-2:2015 EN 61000-3-2:2014 EN 61000-3-3:2013		



**Remark:** This Certification of Conformity has been issued on a voluntary basis. ZCT confirms that a Technical Construction File (TCF) is existent for the above listed product(s). The TCF satisfactorily covers the essential requirements of the above listed Directive(s). Other relevant Directives have to be observed in case they are applicable. This Document is only valid for the equipment and configuration described and in conjunction with the TCF detailed above. Whereas the Manufacturer is responsible of the certification of the product(s) and not exempted to perform all the necessary activities before placing the product(s) on the market. The Manufacturer is also responsible of the internal production control to ensure the product(s) are in compliance with the essential requirements of the above mentioned Directive(s). It is recommended that the product bear the CE mark, the notified body number(s) as depicted to the right, only when all the essential requirements have been met, and has been filed with the European Commission. This certificate can be checked for validity at [www.renzhengjiance.com](http://www.renzhengjiance.com)



**Shenzhen ZCT Technology Co., Ltd.**

3/F., Building 5, Hongsheng Industrial Zone, Bao'an Road, Xixiang Street, Bao'an District, Shenzhen, Guangdong, China.  
☎ : 400-669-6965 ☎ : 86-755-23702323, ✉ : admin@renzhengjiance.com, 🌐 : http://www.renzhengjiance.com.