

# INSTRUCTION MANUAL

FX180/FX210 SK-910009/SK-910010

# SKYRC

## INTRODUCTION

The SKYRC FX180 and FX210 FPV racing quadcopter frame is a light weight, super strong and finely tuned airframe design for high performance FPV drone racing. The frame implements 4mm thick unibody main plate and 1.5mm thick top plate, giving you the best of durability and performance. Multi Function Power Hub, LED Board and Motor Protection Mount are pre-installed.

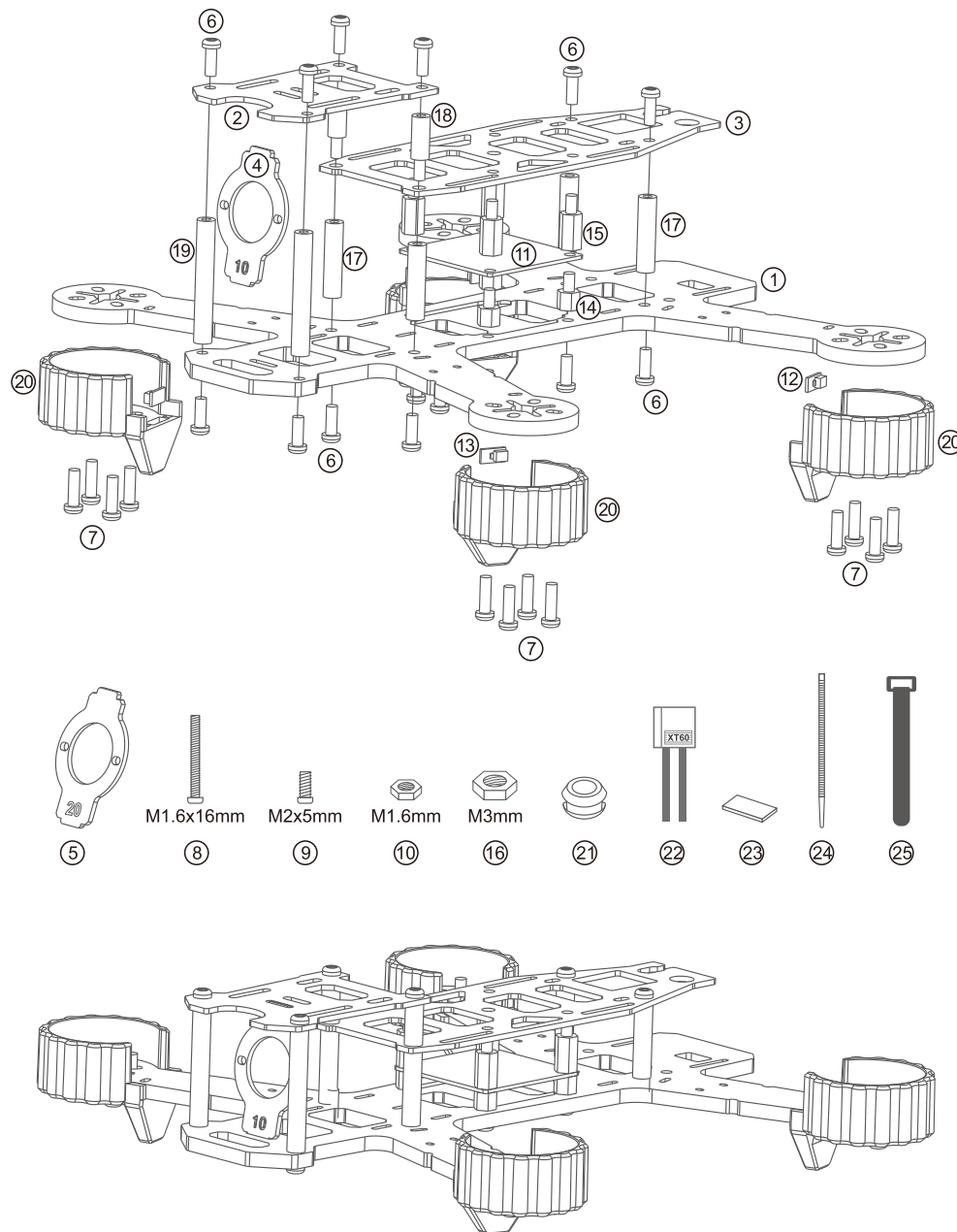
Frame Model	Frame Size	Frame Weight
FX180	180mm	81g
FX210	210mm	98g

## PART LIST

No.	Name	Qty
1	Lower Board	1
2	Front Board	1
3	Center Board	1
4	Camera Mounting Board 10°	1
5	Camera Mounting Board 20°	1
6	Screws M3x8mm	17
7	Screws M3x10mm	17
8	Screws M1.6x16mm	3
9	Screws M2x5mm	3
10	Screws Nut M1.6mm	3
11	Multi Function Power Hub	1
12	Red LED Board with Wire	2
13	Green LED Board with Wire	2

No.	Name	Qty
14	Spacer M3x5mm	5
15	Spacer M3x10mm	5
16	Nylon Screw Nut M3mm	8
17	Spacer $\varnothing$ 5x21mm	4
18	Spacer $\varnothing$ 5x12mm	2
19	Spacer $\varnothing$ 5x34.5mm	2
20	Motor Protection Mount	4
21	Rubber Grommet	1
22	LiPo Battery Pigtail (XT60 Connector)	1
23	EVA Double Sided Adhesive Tape	4
24	Nylon Zip Ties	20
25	Velcro	2

## FRAME STRUCTURE OVERVIEW

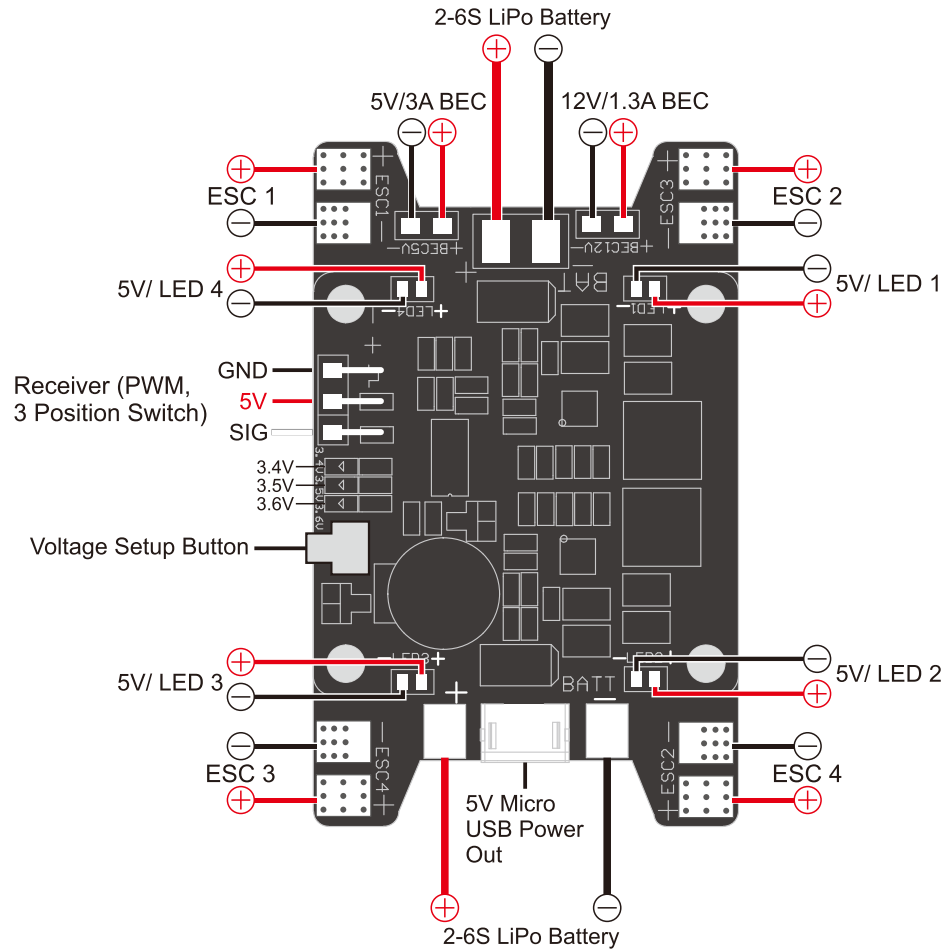


## MULTI FUNCTION POWER HUB

Multi Function Power Hub is pre-install in the frame. This Power Hub comes with 6 functions.

1. Power Distribution
2. BEC 5V/3A Output (2-6S LiPo)
3. LED Light Controller
4. Lost Plane Finder
5. Low Voltage Alarm
6. Micro USB Power Output for Camera

## ILLUSTRATION & CONNECTION



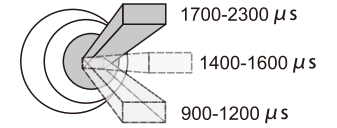
## LED LIGHT CONTROLLER

LED light voltage should be 5V. There are 4 pairs of LED light pads on the hub, all the LED lights have the same status.

You need 3 positions switch to control the status of LED.

There are 4 mode of LED status:

- 1) Constant ON
- 2) Blinking 1Hz
- 3) Blinking 10Hz
- 4) LED OFF



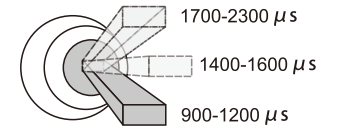
### How to change the LED status

Move switch to high position(1700-2300 $\mu$ s), then move the switch to the middle position(1400-1600 $\mu$ s) and move it back to high position within 0.5 second to toggle the LED status.

Move switch to middle position to turn off LED light.

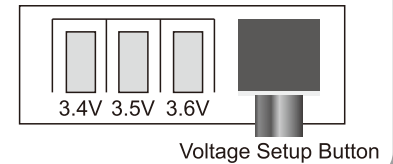
## LOST PLANE FINDER

Move the switch to low position(900-1200 $\mu$ s) to trigger the buzzer and LED lights.



## LOW VOLTAGE ALARM

Press and hold the setup button for 3 seconds to enter setting mode, the voltage LED will blinking, press the button to set the voltage threshold from 3.4V, 3.5V, 3.6V and OFF. The voltage value will be saved if no action within 5 seconds.



## RECOMMEND PARTS

Flight Controller	NAZE32 rev6 (SK-600100-01)
ESC	20A BLHeli (SK-300068-01)
Motor	X2204 2300KV(SK-400017-01)
Propeller	5030, 5040
Battery	3S, 1300-1800mAh $\geq$ 40C    4S, 1000-1500mAh $\geq$ 50C



Manufactured by  
**SKYRC TECHNOLOGY CO., LTD.**  
 www.skyrc.com    7504-0729-02