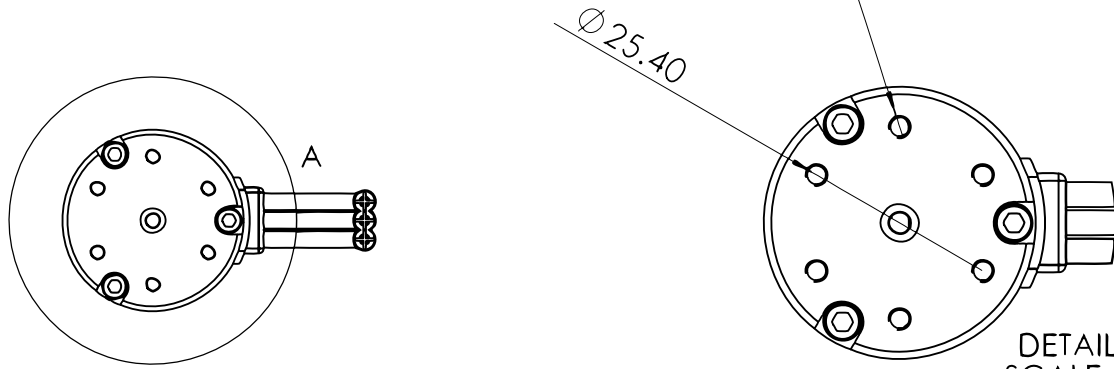


6 x ϕ 2.50 THRU ALL
M3x0.5 - 6H THRU ALL

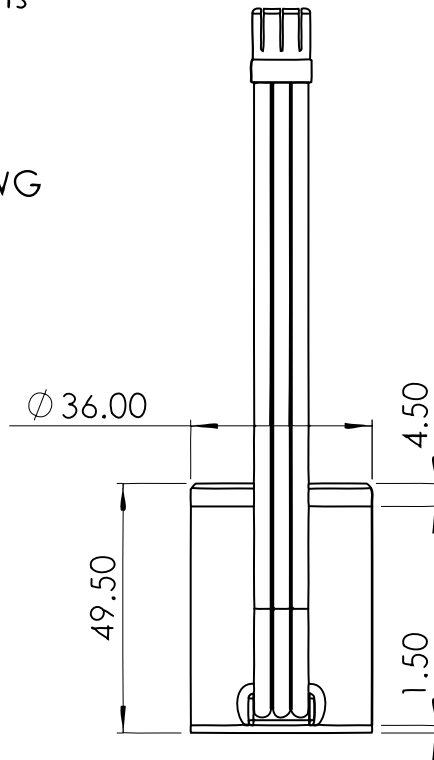
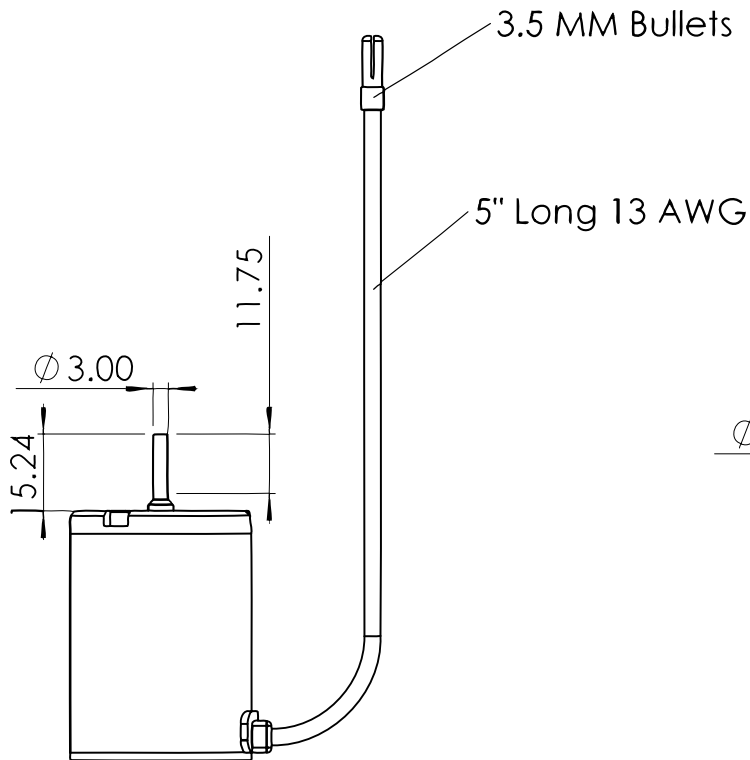


DETAIL A
SCALE 1 : 1

*neu*castle
1406
SERIES
SENSORLESS BRUSHLESS MOTOR

NEU-CASTLE 1406 MOTOR

Length:	1.9" (48.2mm)
Diameter:	1.4" (36mm)



castle