



LED Lighted Bumper Kit Installation Instructions – Ford® F-150® Raptor R™ 4X4

Covers Part #10190

Kit contents:

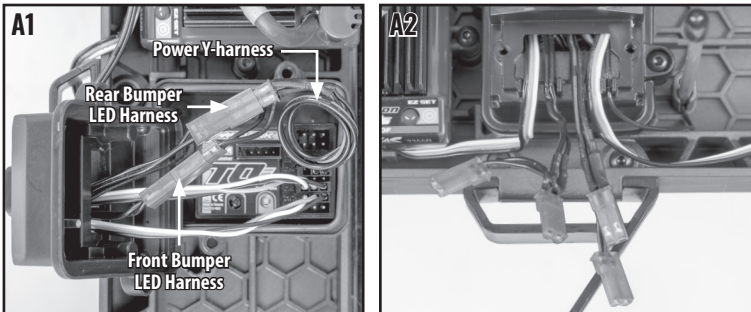
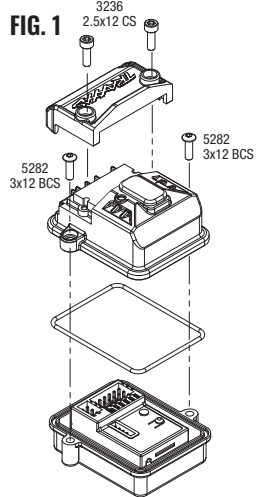
- Front bumper assembly with LED light bar
- LED headlights harness assembly
- Power Y-harness
- Zip ties (9)

Tools required:

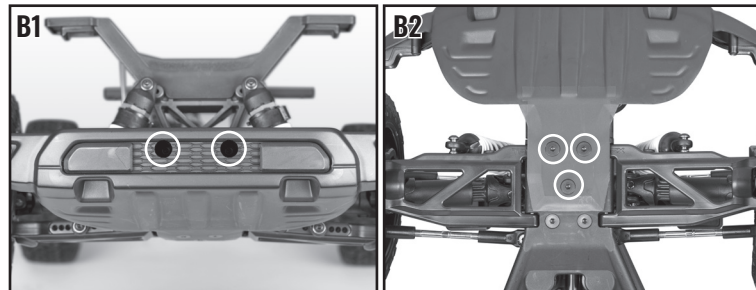
- 1.5mm hex wrench
- 2mm hex wrench
- 2.5mm hex wrench
- Body scissors or side cutters (to trim zip ties)
- Silicone grease

A. POWER WIRE HARNESS INSTALLATION

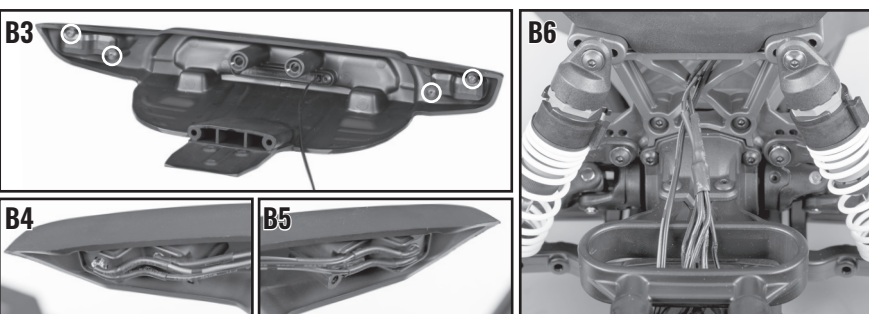
1. Remove the wire clamp by removing the two 2.5x12mm CS (Fig. 1).
2. Remove the receiver box cover by removing the two 3x12mm BCS (Fig. 1).
3. Unplug the front bumper LED light harness and rear bumper LED light harness from the power Y-harness and remove them from the receiver box (A1).
4. Unplug the existing power Y-harness from the receiver and remove it from the receiver box.
5. Route the black connectors from the included power Y-harness and the previously removed power Y-harness through the receiver box cover and into the receiver box.
6. Plug both connectors into any open channel on the receiver. Do not use the V/T or RPM ports. Position the power Y-harnesses in the wire guides of the receiver box (A2).
7. Apply a small bead of silicone grease (part #1647, sold separately) to the wire clamp foam. Install the wire clamp and tighten the two 2.5x12mm CS securely. **Note:** Make sure not to pinch the wires in the clamp.
8. Make sure the blue O-ring seal is properly seated in the groove in the receiver box so that the cover will not pinch it or damage it in any way.
9. Reinstall the cover on the receiver box and tighten the two 3x12mm BCS securely. Inspect the cover to make sure that the O-ring seal is not visible. **Note:** The four red male connectors from the power Y-harnesses should be outside the receiver box.



B. FRONT BUMPER INSTALLATION



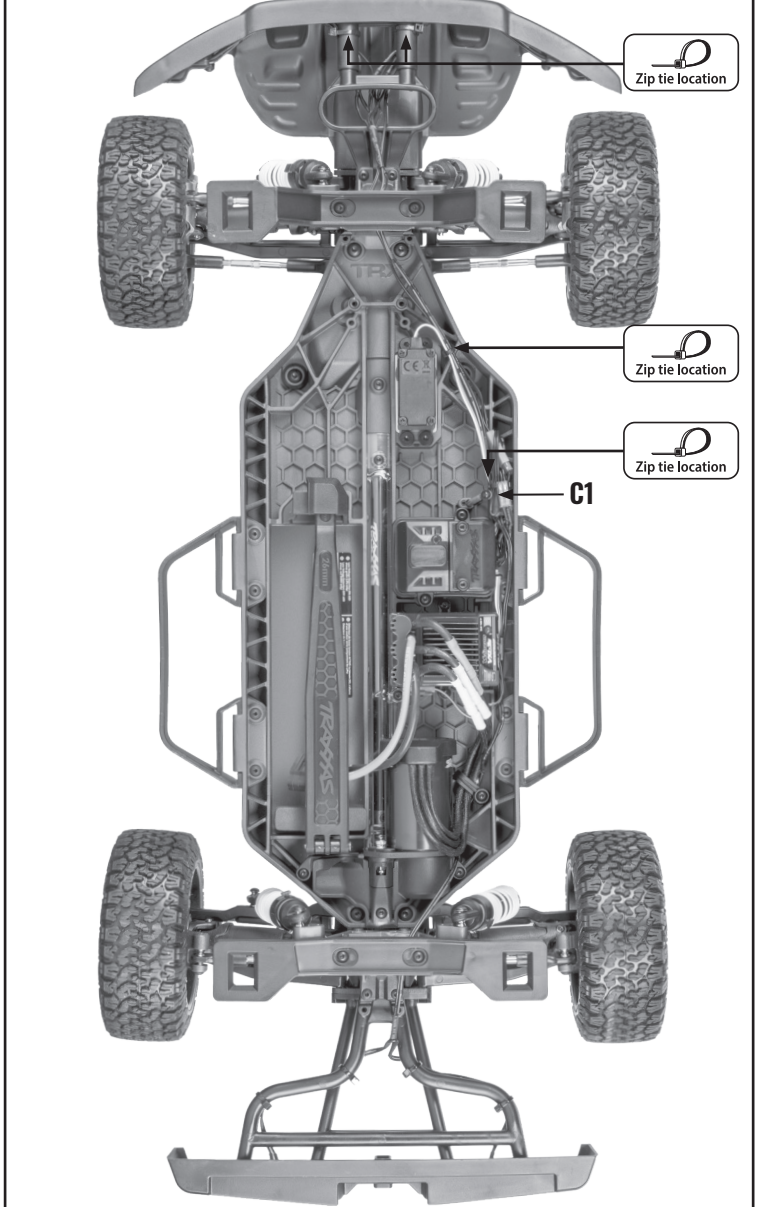
1. Remove the existing front bumper by removing the 4x10mm BCS (2) securing the bumper to the bumper mount and removing the 4x10mm CCS (3) securing the bumper to the bulkhead. (B1 & B2).
2. Remove the 2.5x10mm BCS (4) from the existing front bumper to remove the left and right LED light covers. (B3).
3. Remove the LED light harness from the existing front bumper; install the harness in the same locations on the new front bumper. (B4 & B5).
4. Install the LED light covers on the new front bumper using the 2.5x10mm BCS (4) removed in step 2.
5. Attach the new front bumper to the bumper mount and front bulkhead using the 4x10mm BCS (2) and 4x10mm CCS (3) removed in step 1.
6. Route the harnesses from the LED lights and front light bar through the front bumper mount and front shock tower (B6). Secure the harness with the included zip ties in the locations shown (Fig. 2).



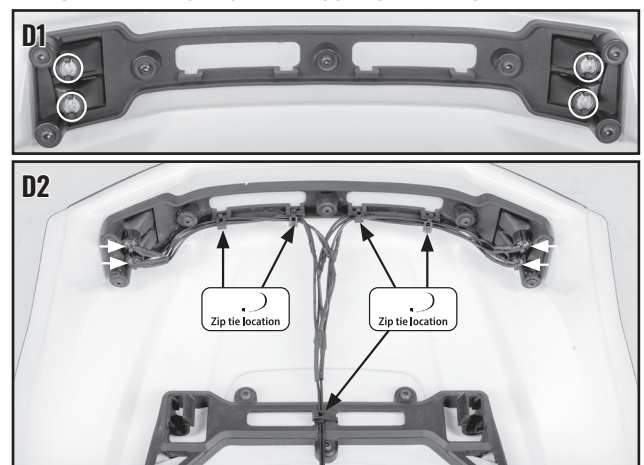
C. CHASSIS WIRING INSTALLATION

1. Plug any of the four red male connectors from the power Y-harnesses into the red female connector from the existing rear bumper LED light harness.
2. Plug two of the three remaining red male connectors from the power Y-harnesses into the front bumper LED light harness and LED light bar harness.
3. Keep the remaining red male connector from the power Y-harnesses loose for connecting the body headlights harness (C1 in Fig. 2). Bundle all other wires neatly near the receiver box as shown and secure with a zip tie (Fig. 2). **Note:** The body headlights harness will need to be connected and disconnected when body is installed and removed.

FIG. 2 CHASSIS WIRING



D. BODY HEADLIGHTS HARNESS INSTALLATION



1. Remove the blank LEDs (4) from the receptacles on the front grille of the truck body (D1).
2. Snap the LEDs from the included LED headlights harness assembly into the receptacles (D2).
3. Secure the harness to the truck body in the locations shown.
4. Connect the headlights harness from the body into the remaining red male connector on the power Y-harness. Install the body on the chassis.