

SET-UP SHEET

VER.01 ©XRAY

XRAY X4'22

RACE **Basic US Set-Up For Black CARPET**

TRACK **ProlevelRC**

NAME **Drew Ellis** DATE _____

TRACK TEMPERATURE	QUAL POSITION	FINAL POSITION	BEST LAPTIME	LAPS	TIME

TRACK

TRACK SURFACE CARPET ASPHALT

TRACK LAYOUT TECHNICAL MIXED FAST

TRACTION LOW MEDIUM HIGH

FRONT TRANSMISSION REAR

SOLID AXLE YES NO

GEAR DIFFERENTIAL - OIL _____ /cSt GEAR DIFFERENTIAL - OIL **8.000** /cSt

PINION _____ /T SPUR GEAR _____ /T FINAL DRIVE RATIO _____

FRONT SHOCKS	REAR SHOCKS
2.5-2.8	2.5-2.8
400	400
0	0
<input type="checkbox"/> YES <input checked="" type="checkbox"/> NO	<input type="checkbox"/> YES <input checked="" type="checkbox"/> NO
<input type="checkbox"/> 3 HOLES <input checked="" type="checkbox"/> 4 HOLES	<input type="checkbox"/> 3 HOLES <input checked="" type="checkbox"/> 4 HOLES
<input type="checkbox"/> PSS <input checked="" type="checkbox"/>	<input type="checkbox"/> PSS <input checked="" type="checkbox"/>
SHOCK LENGTH FRONT 8.5 /mm	SHOCK LENGTH REAR 8.5 /mm

PISTONS

1.0mm 1.1mm 1.2mm

SHOCK LENGTH FRONT **8.5** /mm SHOCK LENGTH REAR **8.5** /mm

ANTI-ROLL BAR THICKNESS/mm **1.4** THICKNESS/mm **1.3**

Gravity RC Type C **SXT** 5min

TIRES **SXT** ADDITIVE TIMING **5min**

FRONT LEFT FRONT RIGHT REAR LEFT REAR RIGHT

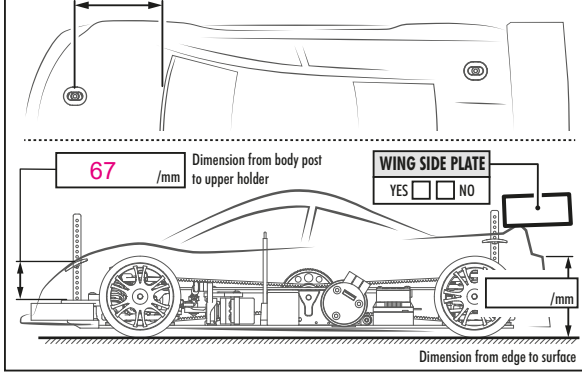
TREATED AREA

TOTAL WEIGHT **1320** /g WEIGHT BALANCE FRONT **50** % REAR **50** %

MOTOR _____ TIMING _____

ESC _____ BATTERIES _____

BODY **Twister** WING **Twister**



COMMENTS

