

# SET-UP SHEET

# XRAY X1'18

RACE	Basic Set-Up
TRACK	

NAME	
CITY / COUNTRY	
CONTACT	

DATE	
------	--

QUALIFYING POSITION	BEST LAPTIME /sec	FINAL POSITION	RACE LENGTH /min

TRACK			
TRACK SURFACE	<input checked="" type="checkbox"/> CARPET	<input checked="" type="checkbox"/> ASPHALT	
TRACK LAYOUT	<input type="checkbox"/> TECHNICAL	<input checked="" type="checkbox"/> MIXED	<input type="checkbox"/> FAST
TRACTION	<input type="checkbox"/> LOW	<input checked="" type="checkbox"/> MEDIUM	<input type="checkbox"/> HIGH

CENTER SHOCK ABSORBER		
SPRING	OIL /cSt	REBOUND %
C2.3	600	25
PISTON	PISTON HOLES DIAMETER	FOAM INSERT
<input type="checkbox"/> 3 HOLES	<input checked="" type="checkbox"/> $\phi$ 1.1mm	YES <input type="checkbox"/> NO <input checked="" type="checkbox"/>
<input checked="" type="checkbox"/> 4 HOLES	<input type="checkbox"/> $\phi$ 1.2mm	
	<input type="checkbox"/> $\phi$ 1.3mm	

ANTI-ROLL BAR	
THICKNESS/mm	1.2

SIDE TUBES	<input checked="" type="checkbox"/>	OIL /cSt	10K
SIDE SHOCK	<input type="checkbox"/>	OIL /cSt	

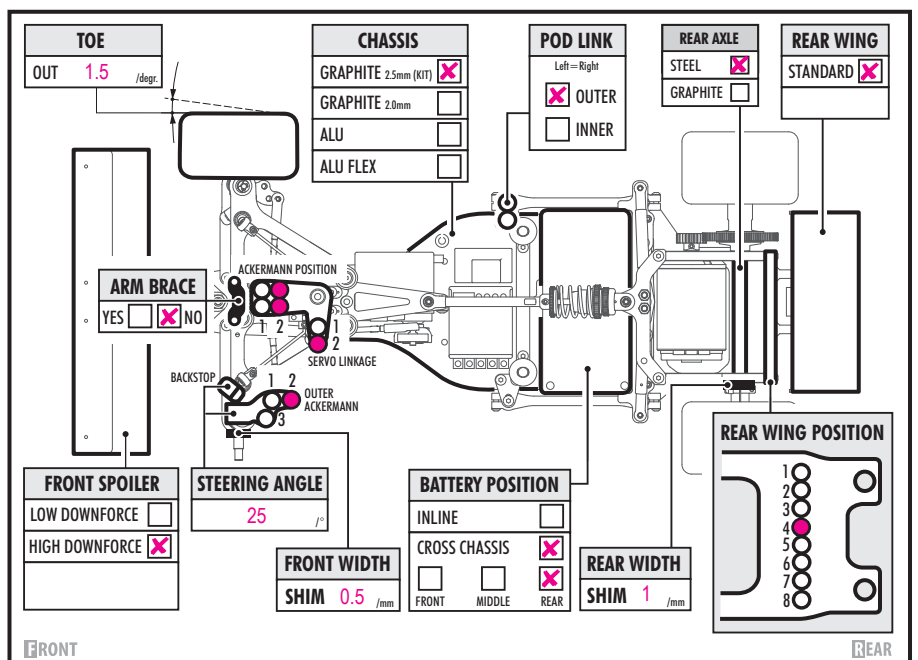
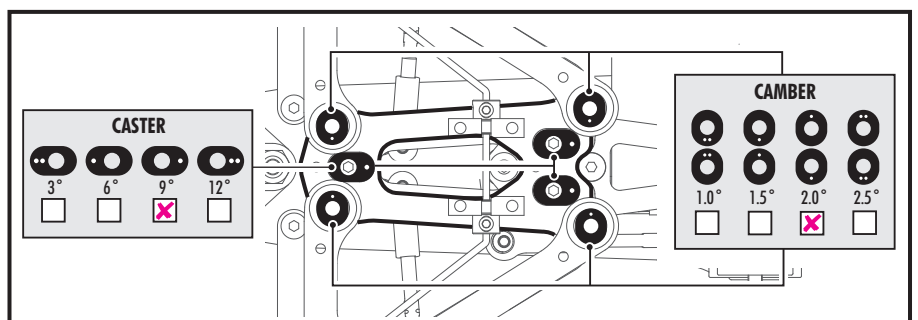
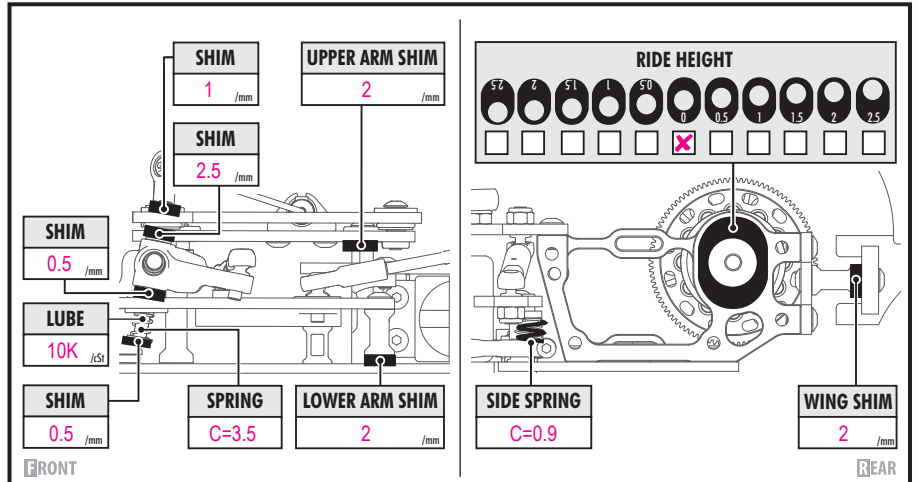
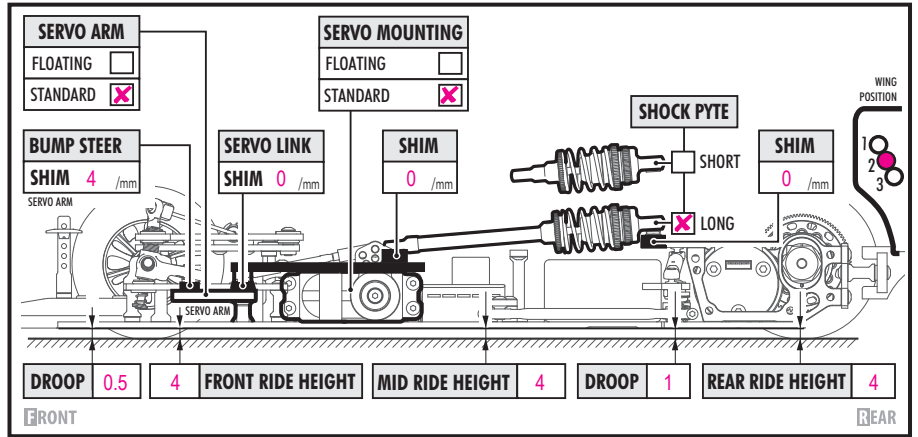
FRONT	TIRES	REAR
HUDY	TIRES	HUDY
HUDY	ADDITIVE	HUDY
5min	ADDITIVE TIMING	10min
FRONT LEFT	ADDITIVE TREATED AREA	REAR LEFT
FRONT RIGHT		REAR RIGHT

DIFF SETTING		
<input type="checkbox"/>	<input checked="" type="checkbox"/>	<input type="checkbox"/>
LOOSE	MEDIUM	TIGHT

GEARING		
PINION /T	SPUR GEAR /T	FINAL DRIVE RATIO

ELECTRONICS	
MOTOR	
SPEEDO	
BATTERIES	

BODY
XRAY X1



COMMENTS