

RACE

TRACK

NAME

CITY / COUNTRY

CONTACT

DATE

QUALIFYING POSITION	BEST LAPTIME /sec	FINAL POSITION	RACE LENGTH /min
<input type="text"/>	<input type="text"/>	<input type="text"/>	<input type="text"/>

**TRACK**

TRACK SURFACE  CARPET  ASPHALT

TRACK LAYOUT  TECHNICAL  MIXED  FAST

TRACTION  LOW  MEDIUM  HIGH

**CENTER SHOCK ABSORBER**

SPRING <input type="text"/>	OIL /cSt <input type="text"/>	REBOUND % <input type="text"/>
PISTON		
<input type="checkbox"/> 3 HOLES	PISTON HOLES DIAMETER	FOAM INSERT
<input type="checkbox"/> 4 HOLES	<input type="checkbox"/> ø1.1mm <input type="checkbox"/> ø1.2mm <input type="checkbox"/> ø1.3mm	YES <input type="checkbox"/> NO <input type="checkbox"/>

**ANTI-ROLL BAR**

THICKNESS/mm

SIDE TUBES  → OIL /cSt

SIDE SHOCK  → OIL /cSt

FRONT	TIRES	REAR
<input type="text"/>	TIRES <input type="text"/>	<input type="text"/>
<input type="text"/>	ADDITIVE <input type="text"/>	<input type="text"/>
<input type="text"/>	ADDITIVE TIMING <input type="text"/>	<input type="text"/>
FRONT LEFT	ADDITIVE TREATED AREA	REAR LEFT
FRONT RIGHT		REAR RIGHT

**DIFF SETTING**

LOOSE  MEDIUM  TIGHT

**GEARING**

PINION /T

SPUR GEAR /T

FINAL DRIVE RATIO

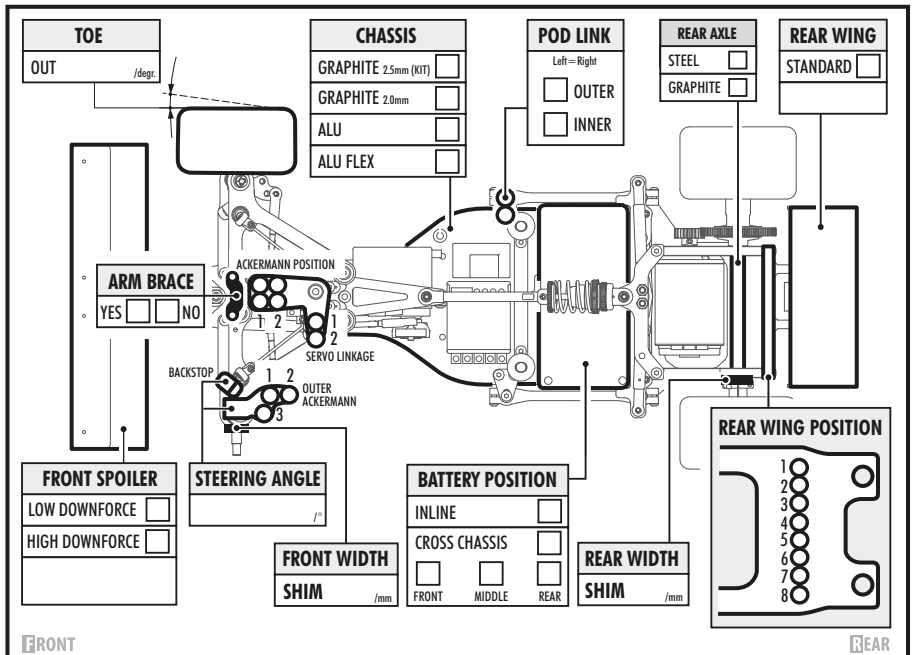
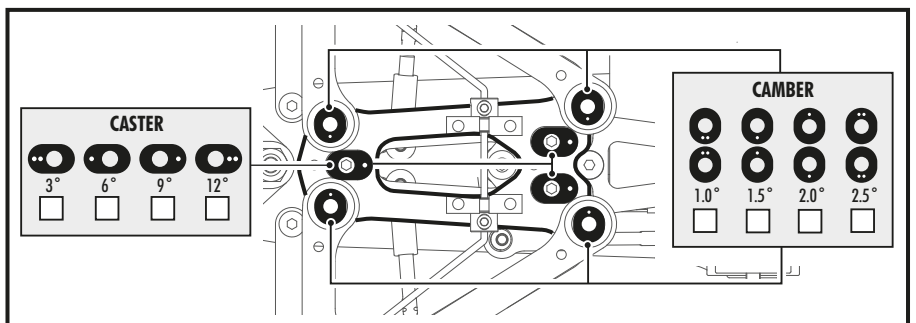
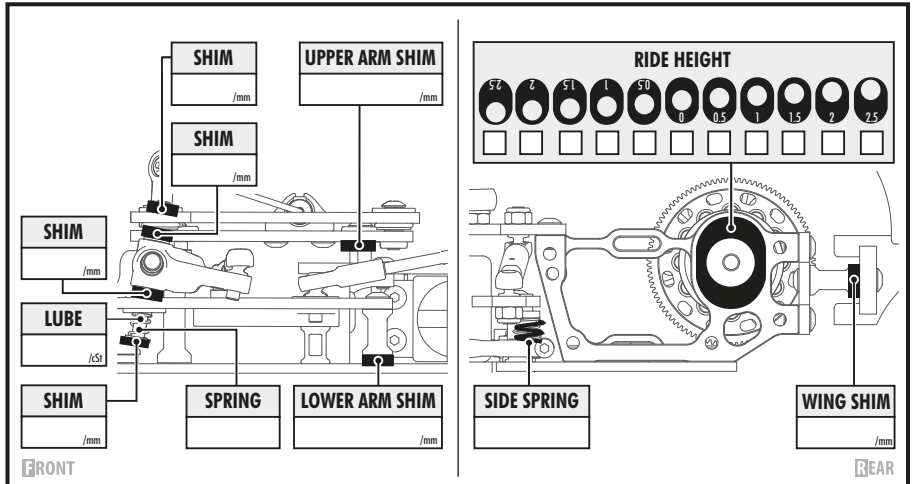
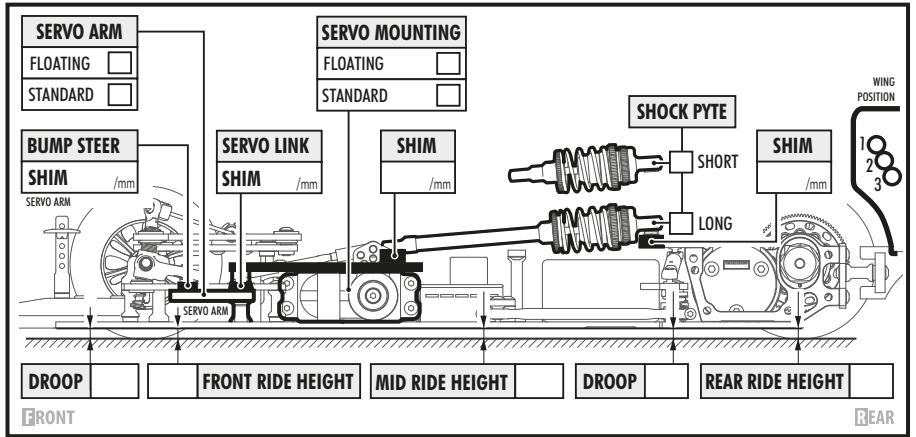
**ELECTRONICS**

MOTOR

SPEEDO

BATTERIES

**BODY**



**COMMENTS**