

SET-UP SHEET

XRAY X1'20

RACE/TRACK	Basic Set-Up for CARPET and ASPHALT		
NAME			
DATE			

TEMPERATURE AIR		TEMPERATURE TRACK	
-----------------	--	-------------------	--

QUAL POSITION	FINAL POSITION	BEST LAP TIME	LAPS	TIME
		/sec	/	

TRACK	
TRACK SURFACE	<input type="checkbox"/> CARPET <input type="checkbox"/> ASPHALT
TRACK LAYOUT	<input type="checkbox"/> TECHNICAL <input checked="" type="checkbox"/> MIXED <input type="checkbox"/> FAST
TRACTION	<input type="checkbox"/> LOW <input checked="" type="checkbox"/> MEDIUM <input type="checkbox"/> HIGH

CENTER SHOCK ABSORBER		
SPRING	OIL /cSt	REBOUND %
C2.3	600	25
PISTON	PISTON HOLES DIAMETER	FOAM INSERT
<input type="checkbox"/> 3 HOLES <input checked="" type="checkbox"/> 4 HOLES	<input checked="" type="checkbox"/> ø1.1mm <input type="checkbox"/> ø1.2mm <input type="checkbox"/> ø1.3mm	YES <input type="checkbox"/> NO <input checked="" type="checkbox"/>

ANTI-ROLL BAR	
THICKNESS/mm	1.2

SIDE DAMPING	
<input checked="" type="checkbox"/> SIDE TUBE	OIL 10K /cSt
<input type="checkbox"/> SIDE SHOCK	OIL /cSt

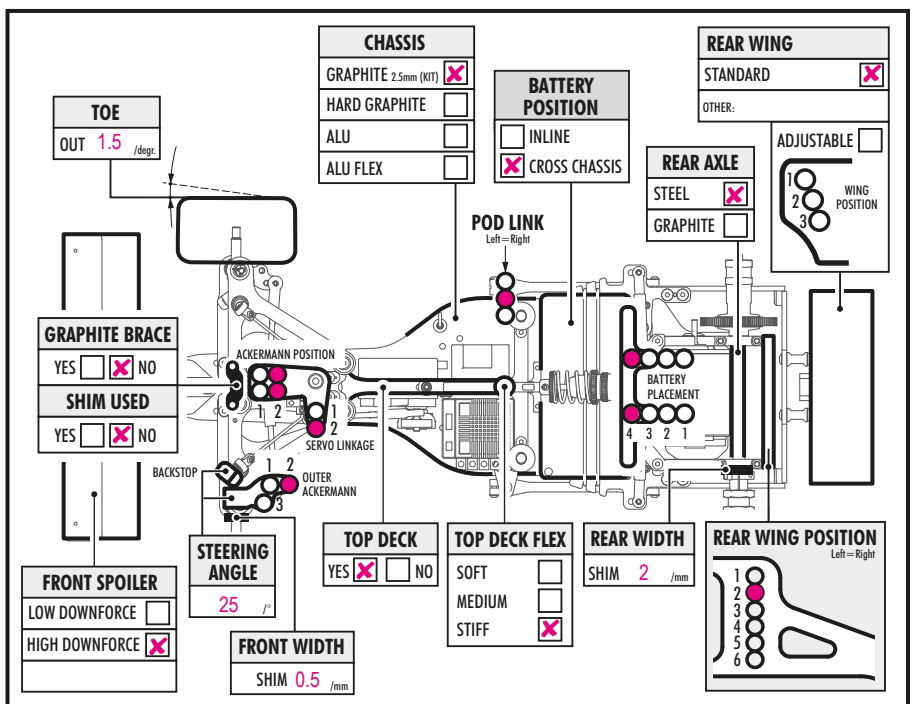
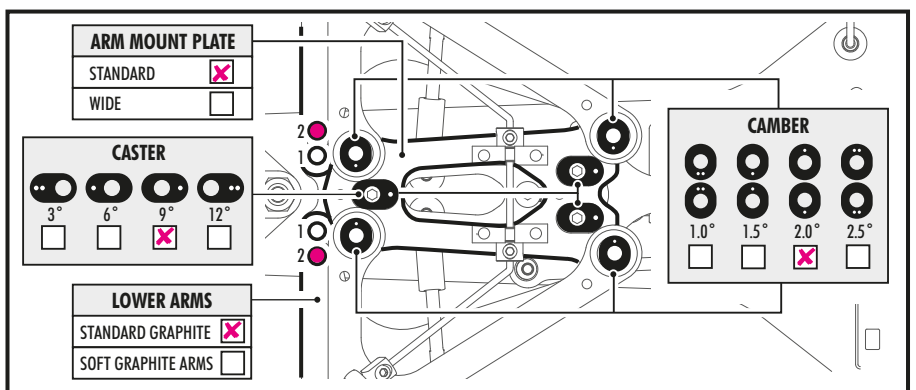
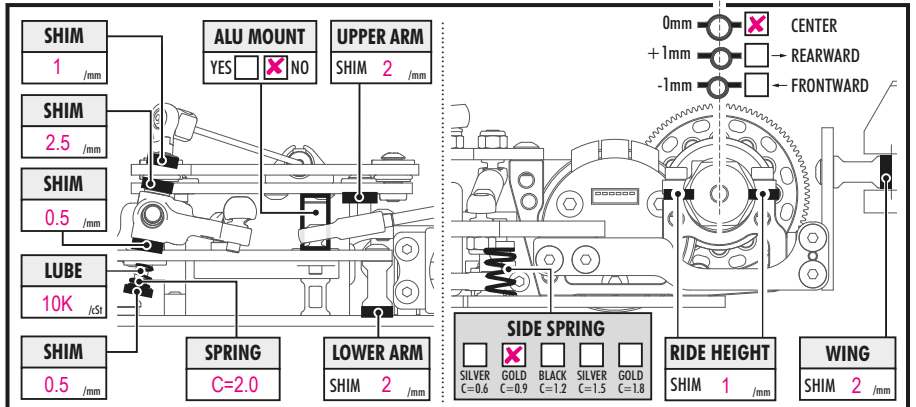
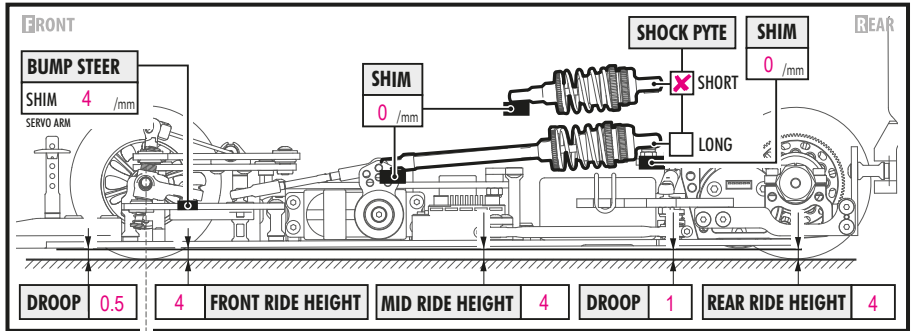
FRONT	TIRES	REAR
HUDY	TIRES	HUDY
HUDY	ADDITIVE	HUDY
10min	ADDITIVE TIMING	20min
FRONT LEFT	ADDITIVE TREATED AREA	REAR LEFT
FRONT RIGHT		REAR RIGHT

TRANSMISSION		
BALL DIFF	SOLID AXLE	GEAR DIFF
<input checked="" type="checkbox"/> <input type="checkbox"/> <input type="checkbox"/> <input type="checkbox"/> <input type="checkbox"/>	<input type="checkbox"/>	<input type="checkbox"/>
LOOSE MEDIUM TIGHT		OIL /cSt

GEARING		
PINION /T	SPUR GEAR /T	FINAL DRIVE RATIO

ELECTRONICS	
MOTOR	
SPEEDO	
BATTERIES	

BODY	
	XRAY X1



COMMENTS