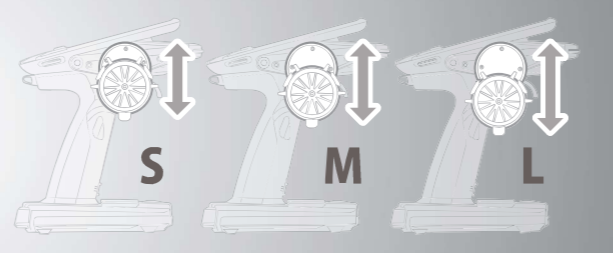


- BT3368 APA S set
- BT3369 APA M set
- BT3370 APA L set

You can arrange the wheel position and angle by installing this part between your T10PX wheel unit and steering housing.



- APA comes with one of S, M, and L. Each comes with mounting screws.
 - You can also set it by tilting the rotation direction.
 - Install the rear cover.
 - Do not pinch the wiring and make sure that you do not make a mistake when connecting.
- Be careful not to overtighten each screw.

Installing the accessory APA steering wheel offset adaptor

- Obtain hex wrench./ Remove the battery.

- 1** Remove the 2 steering unit mounting screws (M3x12 screw).
(Using a hex wrench.)

Remove the 2 mounting screws completely from the transmitter body.

- 2** Gently remove the steering unit, without pulling excessively on the wiring.

- Remove the steering unit slowly so that the internal wiring is not pulled unreasonably.

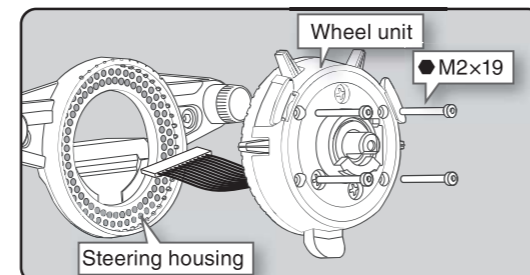
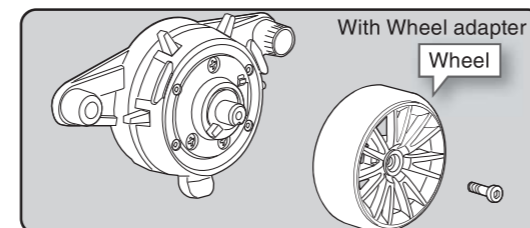
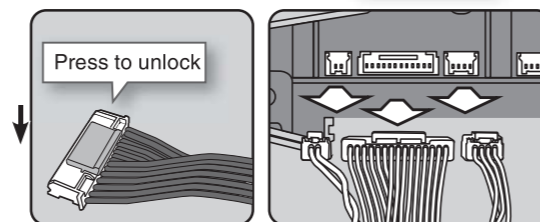
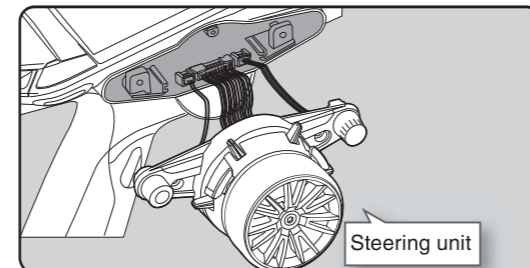
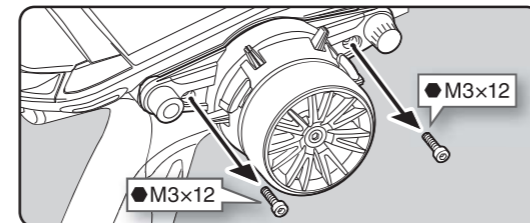
- 3** Remove the 3 connectors from the PC board.
Press the upper side of the connector to release the lock and remove it from the PC board.
(The 3 connectors each have the same lock type although they are different in size.)

- 4** Hold the wheel and remove the screw.
(Using a hex wrench.)

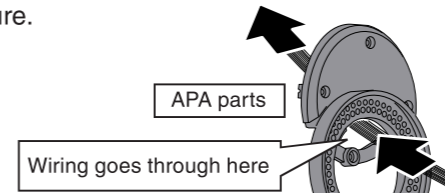
- 5** Pull off the wheel and wheel adapter.

- 6** Using a hex wrench, remove the 4 screws (M2x19) mounting the wheel unit. Remove the wheel unit from the steering housing.

- Do not overtighten these four screws.

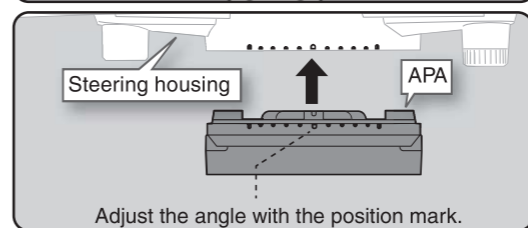
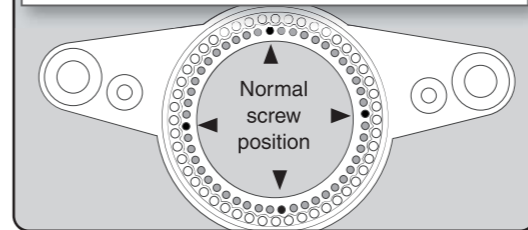


- 7** Pass the wiring from the wheel unit through the hole in the APA parts and steering housing as shown in the figure.

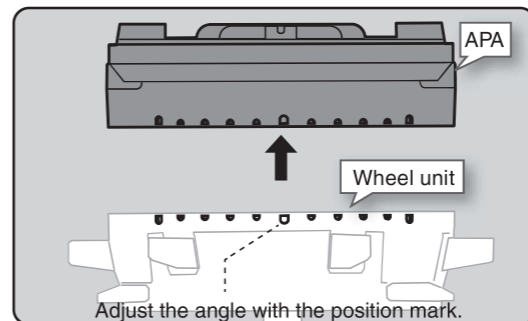


- 8** Fit the rear cover and attach the APA to the steering housing with three M2x10 screws and one M2x6 screw.

APA uses the inside holes. The mounting angle in the direction of rotation can be adjusted.



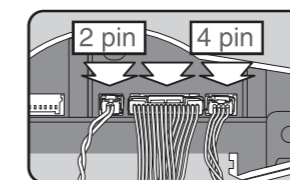
- 9** Attach the wheel unit to the APA with four M2x19 screws.



- 10** Install the assembled steering unit to the transmitter body.

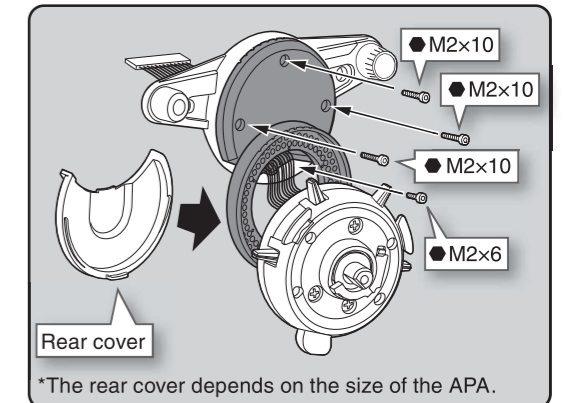
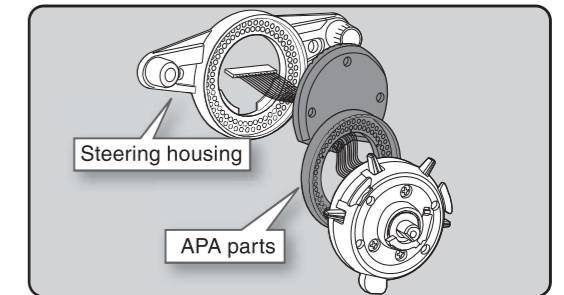
- From left to right, the order is 2 pin connector, 15 pin connector, 4 pin connector.

- Install slowly so that the wiring is not pinched.



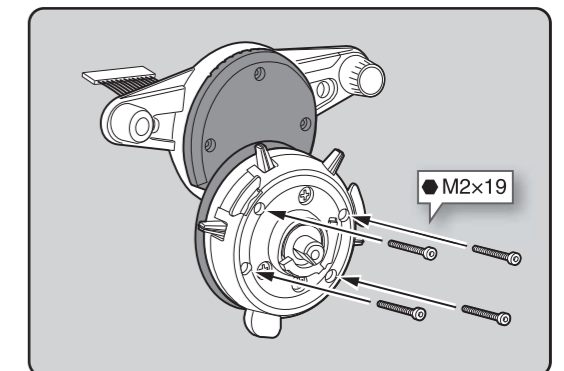
- 11** Attach the assembled steering unit to the body with two M3x12 screws.
(Using a hex wrench.)

- 12** Insert the wheel and hold the wheel and attach the screw.
(Using a hex wrench.)



*The rear cover depends on the size of the APA.

- Use the accessory screws and the transmitter screws.
- There are extra screws in the accessories.



- Do not overtighten these four screws.

