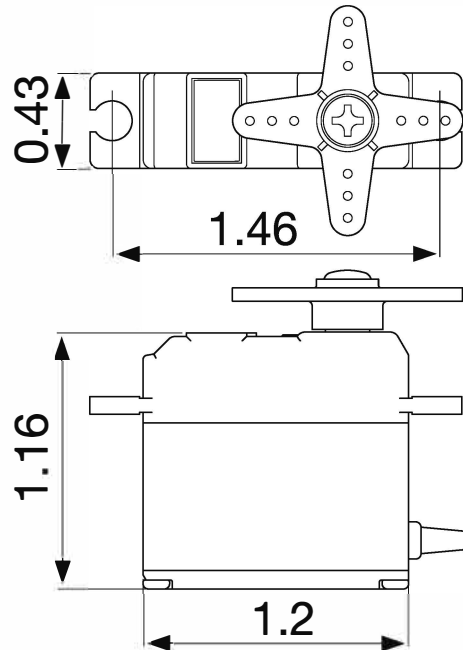


S3155

For Small Model Metal Gear Micro

- **SPEED**
0.16 sec/60° at 4.8V
- **TORQUE**
27.8 oz-in at 4.8V
- **SIZE**
1.2 x 0.43 x 1.16 in.
- **WEIGHT**
0.71 oz



(Unit: in.)

FUTABA CORPORATION

This product contains a chemical known to the State of California to cause cancer and birth defects (or other reproductive harm.)