

S9001

Coreless Motor Standard Servo

- **SPEED**

0.22 sec/60° at 4.8V

0.18 sec/60° at 6.0V

- **TORQUE**

3.9 kg-cm at 4.8V

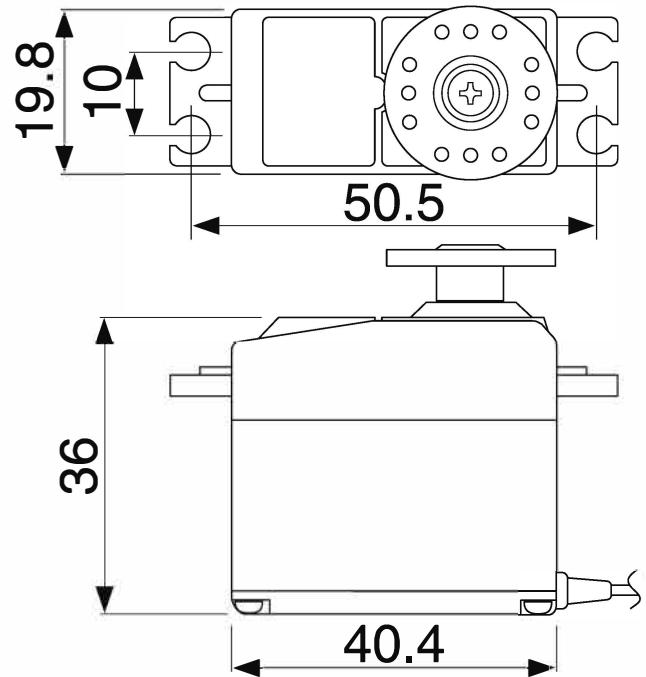
5.2 kg-cm at 6.0V

- **SIZE**

40.4 x 19.8 x 36.0 mm

- **WEIGHT**

48 g



(Unit: mm)

FUTABA CORPORATION