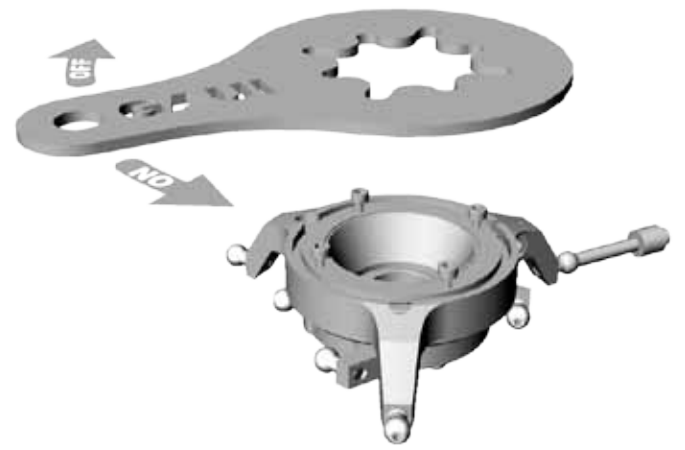
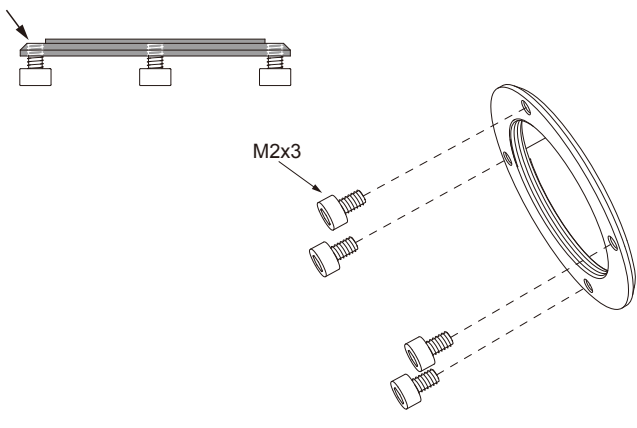


Insert the M2x3 Screws into the swash plate, the screw threads should not protrude the other side.
將M2x3螺絲輕含於十字盤鎖合上時螺絲不可凸出十字盤鎖。

Use the hand tool on the screws, turn clockwise to tighten, counter-clock-wise to un-tighten.
並將手工工具套於螺絲頭，順時針旋緊。



Damper rubber release tool can be used when the damper rubber need to be changed.
拆卸橫軸橡皮墊時可使用套管套上並旋入螺絲將橫軸橡皮墊拔出。

