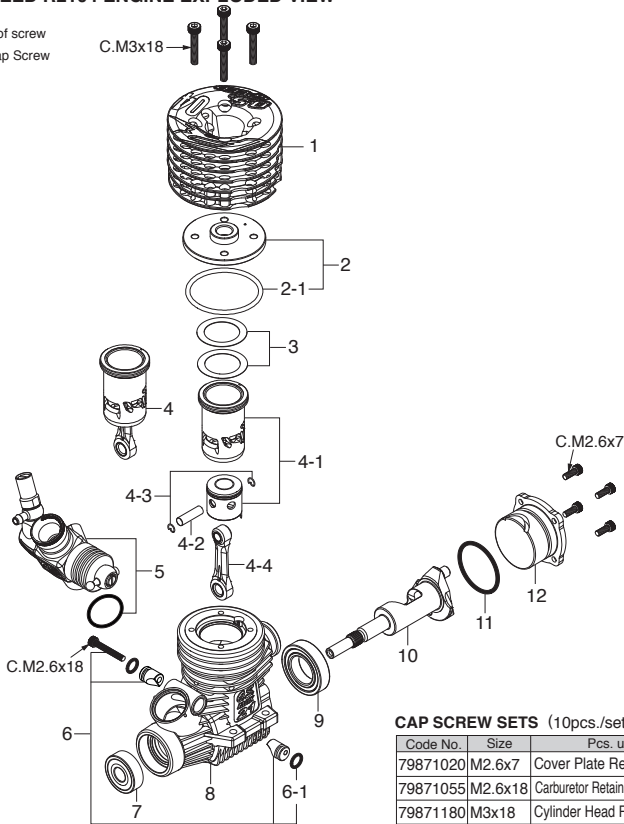


■ O.S.SPEED R2104 ENGINE EXPLODED VIEW

*Type of screw
C...Cap Screw



CAP SCREW SETS (10pcs./set)

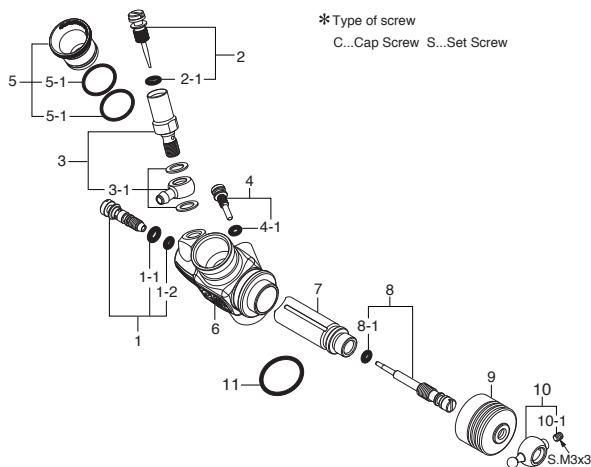
Code No.	Size	Pcs. used in an engine
79871020	M2.6x7	Cover Plate Retaining Screw (4pcs.)
79871055	M2.6x18	Carburetor Retainer Retaining Screw (1pc.)
79871180	M3x18	Cylinder Head Retaining Screw (4pcs.)

■ ENGINE PARTS LIST

No.	Code No.	Description
*	1	2C604000 Outer Head
*	2	2C604100 Inner Head
	2-1	2BN04180 Inner Head "O" Ring (RED)
	3	2A004160 Head Gasket Set (0.1mm / 0.15mm)
*	4	2C603010 Built-Up Parts Set
*	4-1	2C603000 Cylinder & Piston Assembly
	4-2	22016000 Piston Pin
	4-3	2AP17000 O.S. SPEED Piston Pin Retainer 2 (6pcs.)
	4-4	23755024 Connecting Rod w/piston pin retainers (3pcs.)
	5	2A081001 Carburetor Complete (Type 21M2(B))
	6	23981740 Carburetor Retainer Assembly
	6-1	24881824 "O" Ring (2pcs.)
	7	23731000 Crankshaft Ball Bearing (Front)
	8	2A001000 Crankcase
	9	23730020 Crankshaft Ball Bearing (Rear)
*	10	2C602000 Crankshaft
	11	23107100 Cover Gasket
	12	2A007000 Cover Plate
	71642070	Glow Plug RP7
	22826145	Exhaust Seal Ring 21 (10pcs.)
	71801110	O.S. SPEED Flywheel Collet (2pcs.)
	22884254	O.S. SPEED Dust Cap Set For 12-30 Class 3mm (2pcs.)/16mm (2pcs.)/18mm (1pc)

* marked parts are available only for limited period (one year after finishing the production).

■ CARBURETOR EXPLODED VIEW



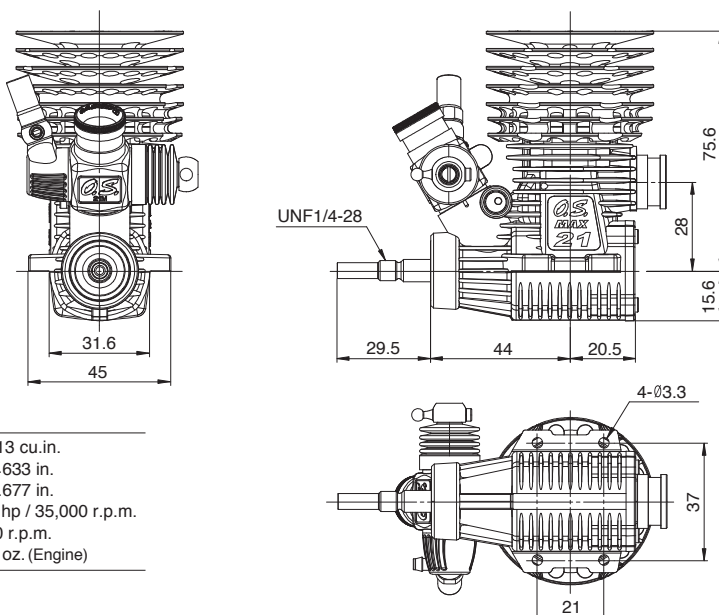
*Type of screw
C...Cap Screw S...Set Screw

■ CARBURETOR PARTS LIST

No.	Code No.	Description
	1	22082600 Mixture Control Valve Assembly
	1-1	46066319 "O" Ring (L) (2pcs.)
	1-2	22781800 "O" Ring (S) (2pcs.)
	2	22082970 Needle Assembly
	2-1	46066319 "O" Ring (2pcs.)
	3	22082940 Needle Holder Assembly
	3-1	22082950 No.15 Universal Nipple Assembly
	4	22848160 Throttle Stop Screw
	4-1	27881820 "O" Ring (S) (2pcs.)
	5	71533085 Carburetor Reducer (8.5mm Red)
	5-1	22615000 "O" Ring (1pc.)
	6	22082110 Carburetor Body
	7	22082200 Slide Valve
	8	2A081610 Metering Needle Assembly
	8-1	27881820 "O" Ring (S) (2pcs.)
	9	23981520 Dust Cover
	10	23781400 Ball Link No.3
	10-1	26381501 Set Screw (1pc.)
	11	29015019 Carburetor Rubber Gasket

■ THREE VIEW DRAWING

Dimensions (mm)



SPECIFICATIONS

■ Displacement	3.49 cc / 0.213 cu.in.
■ Bore	16.08mm / 0.633 in.
■ Stroke	17.20mm / 0.677 in.
■ Output	2.8 ps / 2.76 hp / 35,000 r.p.m.
■ Practical R.P.M.	4,000-45,000 r.p.m.
■ Weight	340g / 11.99 oz. (Engine)

The specifications are subject to alteration for improvement without notice.

O.S. ENGINES MFG.CO.LTD.

6-15 3-Chome Imagawa Higashiumiyoshi-ku
Osaka 546-0003, Japan TEL. (06)6702-0225
http://www.os-engines.co.jp FAX. (06)6704-2722