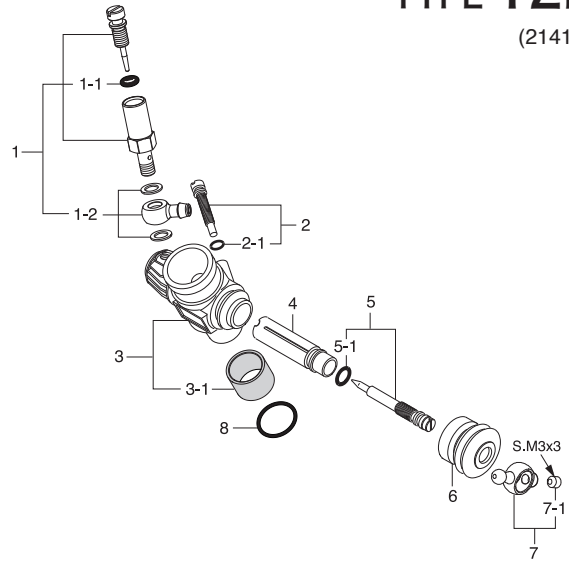
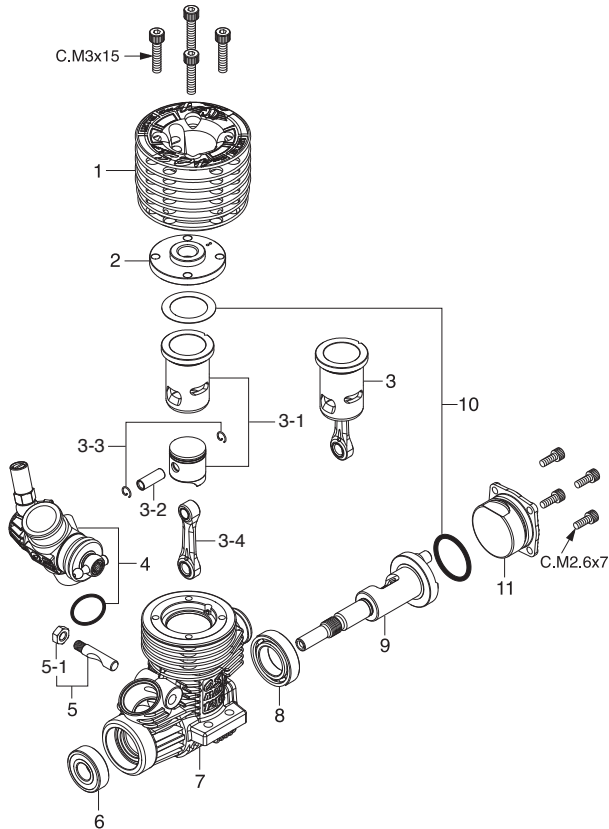


## MAX-12TG Ver.IV

(1D200)

## TYPE 12D2

(21418010)



\* Type of screw

C...Cap Screw B...Binding Screw M...Oval Fillister-Head Screw  
F...Flat Head Screw T...Tapping Screw N...Round Head Screw S...Set Screw

### CAP SCREW SETS (10pcs./set)

Code No.	Size	Pcs. used in an engine
79871020	M2.6x7	Cover Plate Retaining Screw (4pcs.)
79871150	M3x15	Cylinder Head Retaining Screw (4pcs.)

No.	Code No.	Description
1	2D204000	Outer Head 12TG Ver.IV
2	21674100	Inner Head 12XZ
3	2D203100	Built-Up Parts Set MAX-12TG Ver.IV
3-1	2D203000	Cylinder & Piston Assembly 12TG Ver.IV
3-2	21656000	Piston Pin 12TZ, 12TG
3-3	2AP17000	O.S.SPEED Piston Pin Retainer 2 (6pcs.)
3-4	2A405001	Connecting Rod w/piston pin retainers 2 (3pcs.)
4	21418010	Carburetor Complete (Type 12D2) 12TG Ver.3
5	25381701	Carburetor Retainer Assembly 12TZ, 18TZ, 12TG
5-1	23325340	M3.5x0.60 Nut (2pcs.) (For SILENCER)
6	21630500	Crankshaft Ball Bearing (Front) 12
7	2D201000	Crankcase 12TG Ver.IV
8	21931010	Crankshaft Ball Bearing (Rear) 12TZ, 18TZ, 18TM
9	21412000	Crankshaft 12TG-P
10	21411400	Gasket Set 12TG, TG-P, TG-PX, TG-X
11	21417000	Cover Plate 12TG-P, TG
	71641400	Glow Plug T-P4
	21427210	O.S. SPEED Exhaust Seal Ring 12 (10pcs.)
	22884254	O.S. SPEED Dust Cap Set For 12-30 Class 3mm (2pcs.)/16mm (2pcs.)/18mm (1pc)

No.	Code No.	Description
1	21681900	Needle Valve Assembly 12F-B
1-1	27881820	"O" Ring (2pcs.) (S-3)
1-2	2AP81950	No.21 Universal Nipple Assembly
2	21982620	Throttle Stop Screw 12D, 11H, 11K
2-1	22781800	"O" Ring (S) (2pcs.) 10D, 10F, 1H-3H, 20E
3	21418110	Carburetor Body (12D2) 12TG Ver.2
3-1	21982900	Thermo Insulator 11H, 11K, 11L
4	21682200	Slide Valve (12F-B) OSSPEED 12XZ
5	21538500	Metering Needle Assembly 12D, 11H
5-1	22781800	"O" Ring (S) (2pcs.) 10D, 10F, 1H-3H, 20E
6	21982520	Dust Cover 12D, 11H, 11K
7	23818430	Ball Link No.5
7-1	26381501	Set Screw (1pc.)
8	22615000	Carburetor Rubber Gasket 2A-3A, 20C, 20D