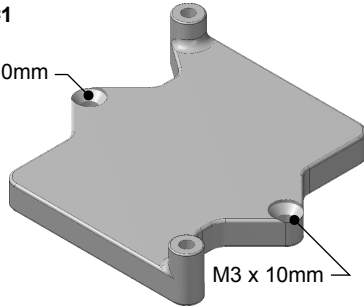


## #81322 & #81325 ESC Cage for Castle Sidewinder 4 ESC. Fits the Traxxas Slash 2wd & Slash 4x4.

**What's Included:** □ 1 - Base Plate, 1 - Top Cage, 1 - Switch Mount Base, 1 - Switch Mount Top, 1 - M3 x 25mm Buttonhead Screw, 1 - M3 x 20mm Buttonhead Screw, 2 - M3 x 10mm Flathead Screws, & 4 - M2 x 8mm Flathead Screws.

### Step #1

M3 x 10mm

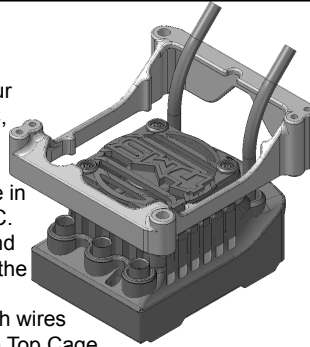


M3 x 10mm

Bolt the Base Plate to the chassis using the two included M3 x 8mm flathead screws.

### Step #2

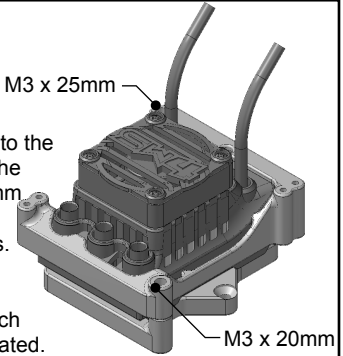
Slip the Top Cage over the top of your Sidewinder 4 ESC, paying close attention to the orientation of cage in relation to the ESC. Run the battery and fan wires through the center. Allow the receiver and switch wires to run beneath the Top Cage.



### Step #3

M3 x 25mm

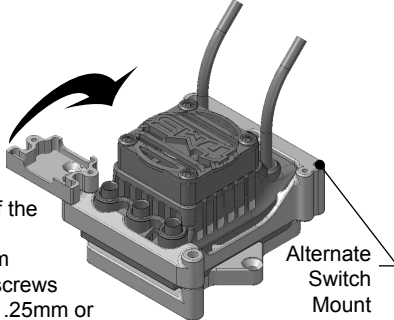
Bolt the Top Cage to the Base Plate using the included M3 x 20mm & M3 x 25mm buttonhead screws. The Base Plate is symmetrical so it doesn't matter which way the two are mated.



M3 x 20mm

### Step #4

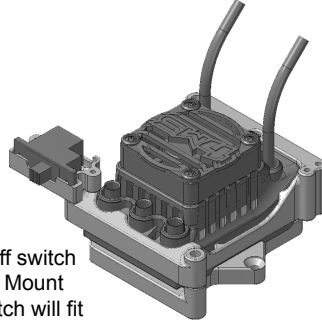
Bolt the Switch Mount Base to the Top Cage using 2 of the included M2 x 8mm flathead screws (using a 1.25mm or .05" hex driver - not included). The Switch may be rotated 90° or installed in the alternate location mentioned here.



Alternate Switch Mount Location

### Step #5

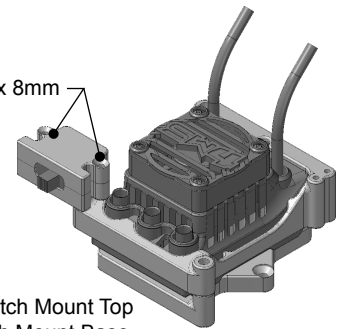
Slip the On / Off switch into the Switch Mount Base. The Switch will fit in either direction (OFF forward or ON forward). Use caution with the exiting wires, making sure they clear the ESC cage, battery wires and power plugs.



### Step #6

Bolt the Switch Mount Top to the Switch Mount Base using the remaining two M2 x 8mm flathead screws. Caution: Do not overtighten these screws.

M2 x 8mm



The **RPM** ESC Cage is very versatile and can be mounted practically anywhere given enough space to drill & tap two 3mm mounting holes and fit the base plate. When installing on a Rustler, Stampede 2wd or Bandit, stock Traxxas #3725 ESC Mounting Plate must be used.

**Troubleshooting:** Most interference issues can be resolved by rotating the ESC / Top Cage ass'y 180° or by relocating the Switch Mount to an alternate position.