



LED Light Kit Installation Instructions

Covers Part #9095

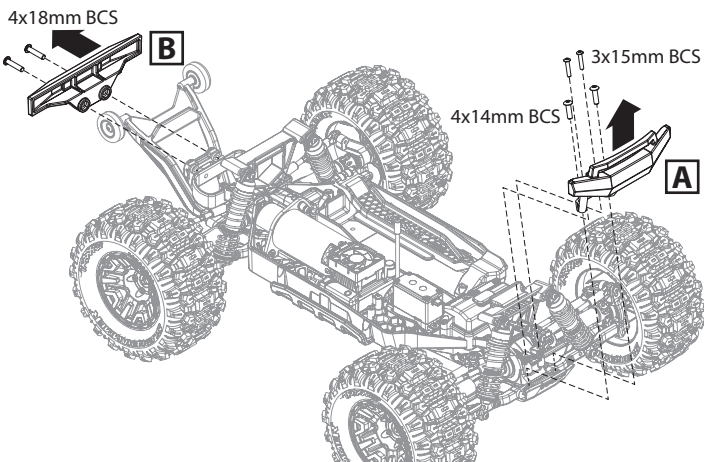
Kit contents:

- 3-volt accessory power supply
- Electronic speed control (ESC) power tap
- Front bumper with LED light bar
- Rear bumper with LED light bar
- 3x8mm button-head cap screws (2)
- 2.6x8mm button-head cap screws (2)
- Zip ties (3)

Tools needed:

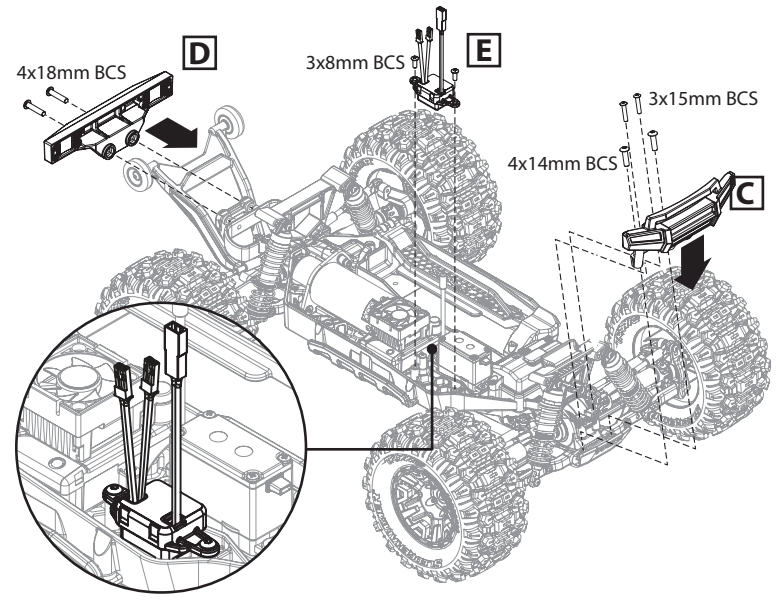
- 2.0mm hex wrench
- 2.5 mm hex wrench

- 1** Remove the existing front and rear bumpers (A, B). Retain and reuse all screws.



CAUTION: RISK OF DAMAGE TO BATTERIES! Do not attach the power tap to the battery connector. Attach to the electronic speed control (ESC) connector only. Always disconnect the battery from the ESC when not in use to prevent the possibility of over-discharge.

- 2** Install the new front and rear bumpers (C, D) using the screws removed in step 1; then, install the accessory power supply (E) with the included 3x8mm BCS (2).

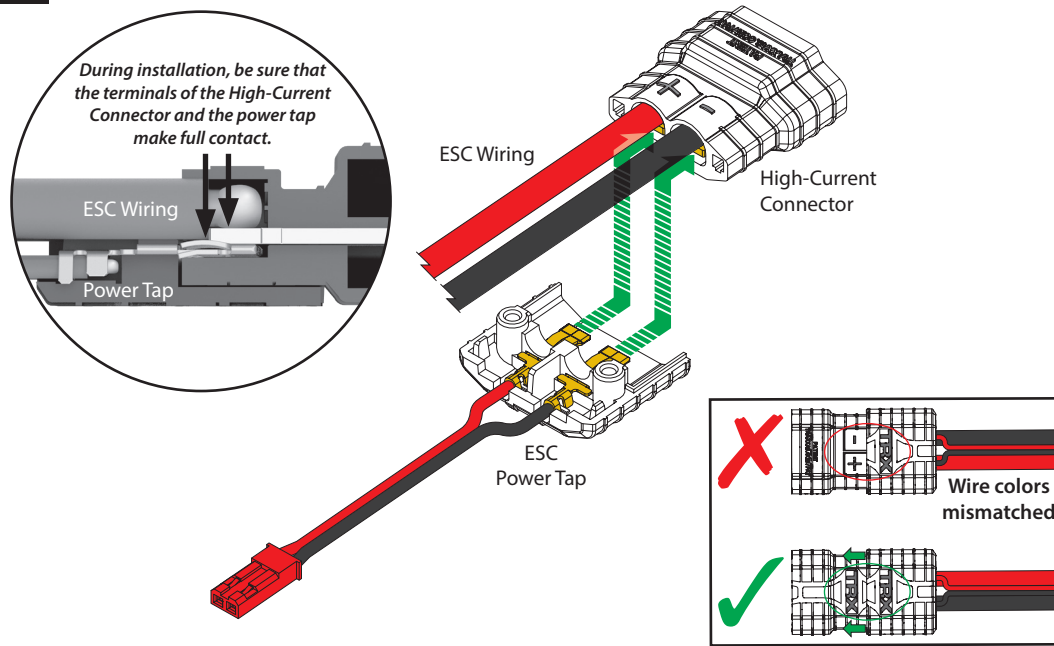


Important Note! Use the included power tap as the direct battery source for the accessory power supply. Do not connect to the accessory BEC power output on the ESC (if equipped). Connecting high-load accessories to the power supply while it is plugged directly into the ESC could overload the speed control's BEC circuit. This may cause the speed control to go into thermal protection mode or could cause damage to the speed control.

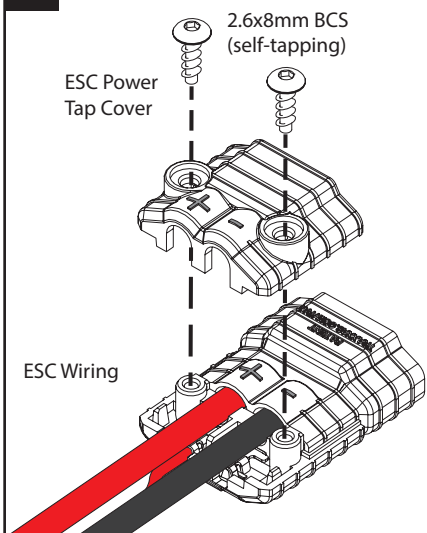
CAUTION: RISK OF DAMAGE TO ACCESSORIES!

Note the polarity and wire color on the pre-installed wires on the power tap. Ensure the polarity is correct during installation on the High-Current Connector: red (+) (positive), black (-) (negative).

- 3** Attach the power tap to the High-Current Connector of the electronic speed control (ESC).

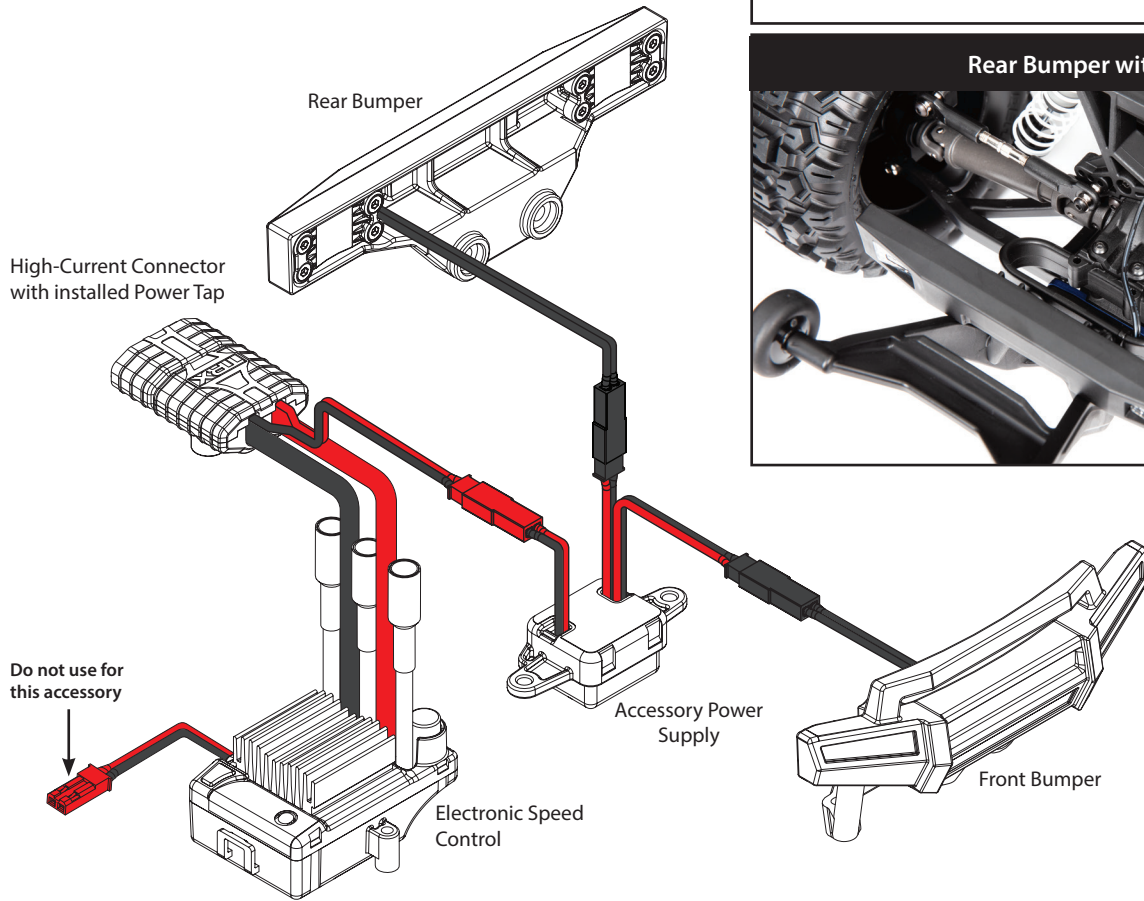


- 4** Install the cover on the power tap.

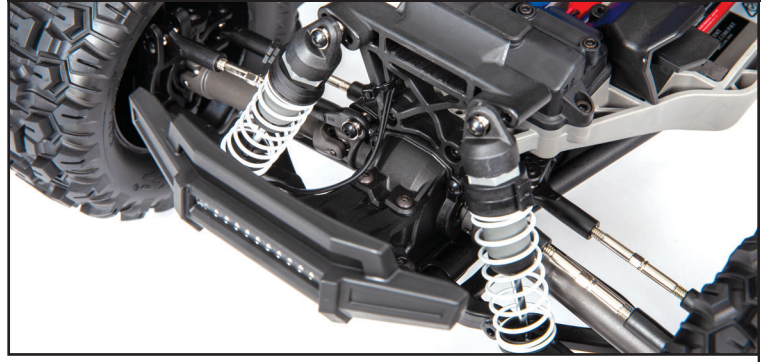


5 Wiring Diagram

Route the wire harnesses from the front and rear bumpers to the accessory power supply. Use the included zip ties (3) to secure the harnesses. **Note: Ensure the wire harness is kept away from any moving parts and heated surfaces.** Plug the black male connectors from the accessory power supply into the black female connectors from the front and rear bumper wire harnesses. Plug the red power tap male connector into the red female connector from the accessory power supply. **The accessory power supply and LED lights will turn on when a battery is connected. Always disconnect the battery when not in use.**



Front Bumper with LED Light Bar



Rear Bumper with LED Lights



Warranty Information

Traxxas electronic components are warranted to be free from defects in materials and workmanship for a period of 30 days from the date of purchase.

Limitations: Any and all warranty coverage does not cover replacement of parts and components damaged by abuse, neglect, improper or unreasonable use, crash damage, water or excessive moisture, chemical damage, improper or infrequent maintenance, accident, unauthorized alteration or modification or items that are considered consumable. Traxxas will not pay for the cost of shipping or transportation of a defective component to us.

If you have questions or need technical assistance, call Traxxas at

1-888-TRAXXAS

(1-888-872-9927) (U.S. residents only)

Traxxas Lifetime Electronics Warranty

After the expiration date of the warranty period, Traxxas will repair electronic components for a flat rate. Please visit Traxxas.com/support for a current schedule of warranty costs and fees. The covered repairs are limited to non-mechanical components that have NOT been subjected to abuse, misuse, or neglect. Products damaged by intentional abuse, misuse, or neglect may be subject to additional charges. Traxxas liability, in no case, shall be greater than the actual purchase price of this product. For replacement, product must be returned in brand new condition, with packaging and itemized sales receipt.



This device complies with FCC Part 15 & IC RSS-210 rules subject to the following conditions: 1) This device may not cause harmful interference, and 2) This device must accept all interference received, including interference that may cause undesired operation.